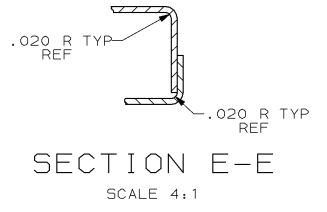
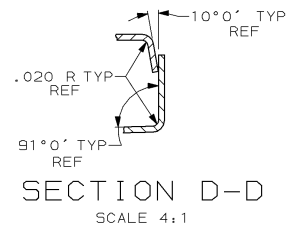
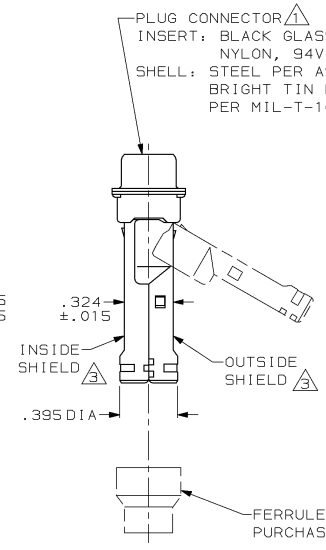
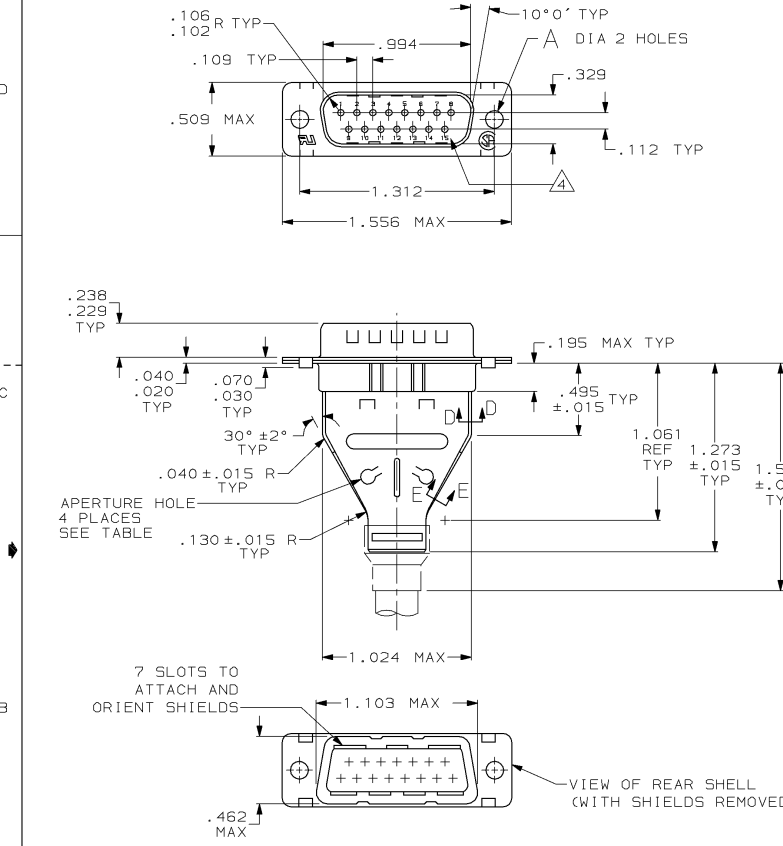


DRAWING MADE IN THIRD ANGLE PROJECTION
 THIS DRAWING IS UNPUBLISHED. RELEASED FOR PUBLICATION
 © COPYRIGHT 19 BY AMP INCORPORATED. ALL INTERNATIONAL RIGHTS RESERVED.

LOC	DIST	P	F	ZONE	LTR	REVISIONS	DATE	APPD
BD	48					A REDRAWN	5-25-90	-
						B REV PER ECN BD5049	7-2-91	TMS
						C ADDED -2 NPR3889 WAS 91-5788-3-1	01/02/92	TMS
						D OBS -2 PER ECN BD5856	01/17/92	TMS
						E REACTIVATED -2 PER NPR 3975	02/14/92	TMS
						F ADDED -3 PER NPR 4125, WAS 92-5788-9-1	04/20/92	TS
						G ADDED -4 PER NPR 4263	07/10/92	SB
						H OBS -2,-3 PER EC 0020-724-95	11 MAR 96	JCS



OBSOLETE	.150/.160	WITH	747538-3
OBSOLETE	.115/.125	WITHOUT	747538-2
	.115/.125	WITH	747538-1
A	APERTURE HOLE		PART NUMBER

- ⚠️ PLUG ACCEPTS SIZE 20 PIN CONTACTS (CONTACTS MUST BE ORDERED SEPARATELY).
- 2. ALL PARTS SHIPPED UNASSEMBLED, EACH PART INDIVIDUALLY BULK PACKED.
- ⚠️ SHIELDS: MATERIAL-.020 THICK STEEL, TIN PLATED PER MIL-T-10727.
- ⚠️ RAISED CAVITY IDENTIFICATION AND AMP TRADEMARK.
- ⚠️ SEE RESTRICTED CUSTOMER DRAWING 747538-4.

DO NOT SCALE PRINT. UNLESS SPECIFIED DIMENSIONS IN INCHES TOLERANCES ON:		DR 5-25-90 J GALLUCCI BG		AMP AMP INCORPORATED Harrisburg, Pa. 17105	
2 PLC DEC ± .005		CHK J. McCLINTON 8-31-90			
3 PLC DEC ± .005		APPD B. TAYLOR 9-4-90		NAME	
ANGLES ± 0°30'		APPD J. ASSINI 9-4-90		KIT, PLUG, SHIELDING HARDWARE, SIZE 2, 15 POSN, HDP-20, AMPLIMITE™	
MATERIAL SEE CALL OUT ⚠️		PRODUCT SPEC -		DRAWING NO 747538	
FINISH SEE CALL OUT ⚠️		APPLICATION SPEC -		SIZE C	
WEIGHT -		SCALE 2:1		FSCM NO 00779	
				DRAWING NO 747538	
				SHEET 1 OF 1	

CUSTOMER DRAWING