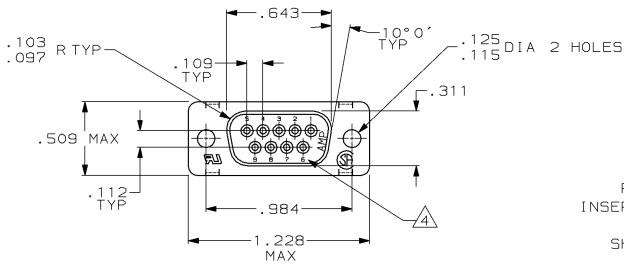
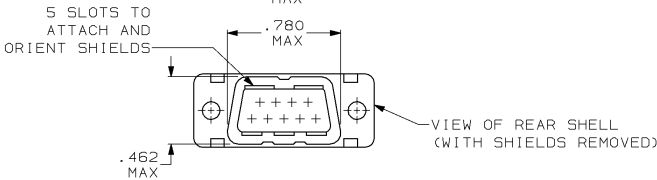
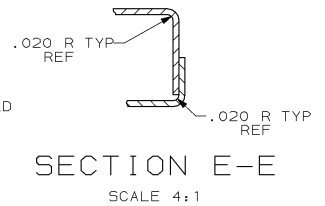
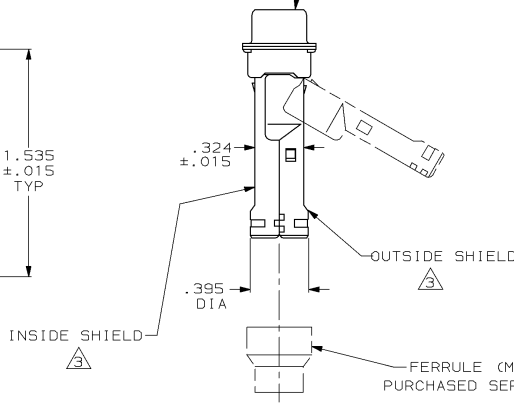
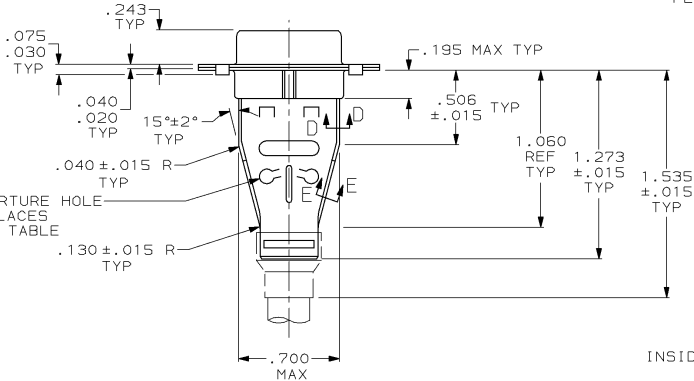
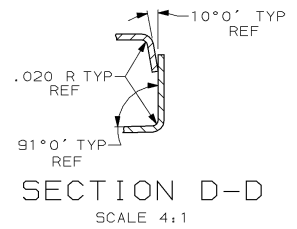


THIS DRAWING IS UNPUBLISHED. RELEASED FOR PUBLICATION
 © COPYRIGHT 19 BY AMP INCORPORATED. ALL INTERNATIONAL RIGHTS RESERVED.

LOC	DIST	P	F	ZONE	LTR	DESCRIPTION	DATE	APPD
BD	48					REVISIONS		
					A	REDRAWN	5-23-90	-
					B	REV PER ECN B05049	7-2-91	TMS
					C	ADDED-2 NPR3889 WAS 91-5788-1-1	01/02/92	TMS
					D	OBS -2 PER ECN B05856	01/17/92	TMS
					E	REACTIVATED -2 PER NPR 3975	02/14/92	TMS
					F	ADD -3 PER NPR 4199 WAS 92-5788-4	06/03/92	TBS
					G	OBS -2,-3 PER EC 0020-724-95	08 MAR 95	JCS



RECEPTACLE CONNECTOR
 INSERT: BLACK GLASS FILLED NYLON
 94 V-0 RATED
 SHELL: STEEL PER ASTM A109
 BRIGHT TIN PLATED
 PER MIL-T-10727



OBSOLETE	-	747523-2
OBSOLETE	WITHOUT	747523-2
	WITH	747523-1
	APERTURE HOLE	PART NUMBER

- ⚠ RECEPTACLE ACCEPTS SIZE 20 SOCKET CONTACTS (CONTACTS ORDERED SEPARATELY)
- 2 ALL PARTS SHIPPED UNASSEMBLED, EACH PART INDIVIDUALLY BULK PACKED.
- ⚠ SHIELDS: MATERIAL-.020 THICK STEEL, TIN PLATED PER MIL-T-107207.
- ⚠ RAISED CAVITY IDENTIFICATION AND AMP TRADEMARK.
- ⚠ SEE RESTRICTED CUSTOMER DRAWING 747523-3.

DO NOT SCALE PRINT. UNLESS SPECIFIED DIMENSIONS IN INCHES TOLERANCES ON:		DR 5/23/90 A. STAUB BG		AMP AMP INCORPORATED Harrisburg, Pa. 17105 NAME KIT, RCPT, SHIELDING HARDWARE, SIZE 1, 9 POSN, HDP-20, AMPLIMITE™	
2 PLC DEC ±		CHK J. McCLINTON 8-31-90			
3 PLC DEC ± .005		APPD B. TAYLOR 9-4-90			
ANGLES ± 0°30'		APPD J. ASSINI 9-4-90		SIZE C FSCM NO 00779 DRAWING NO 747523	
MATERIAL SEE CALL OUT ⚠		PRODUCT SPEC -		SCALE 2:1 SHEET 1 OF 1	
FINISH SEE CALL OUT ⚠		APPLICATION SPEC -		WEIGHT -	

CUSTOMER DRAWING