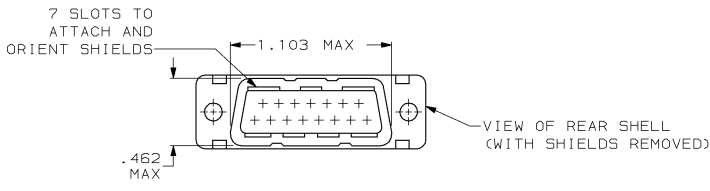
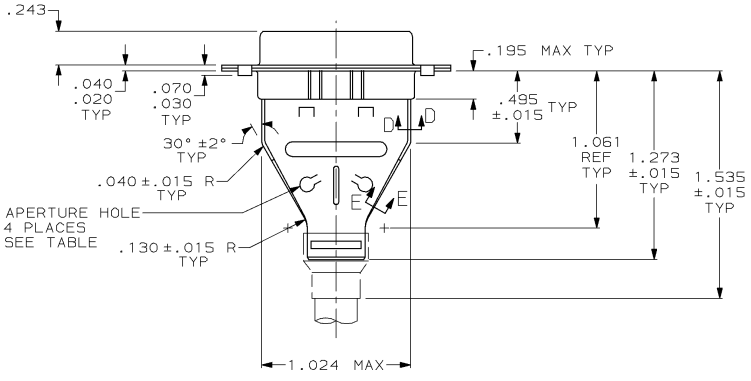
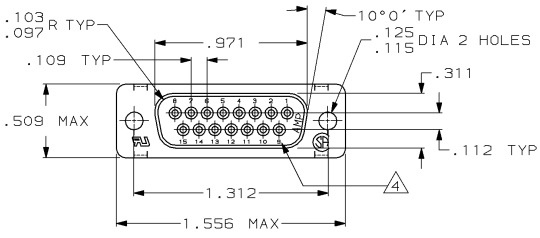
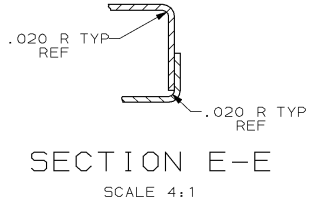
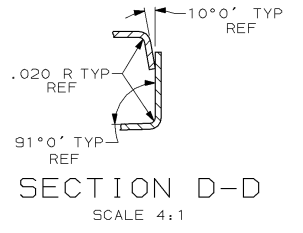
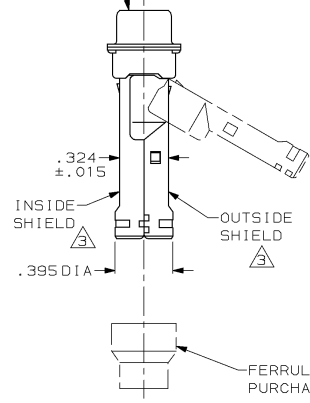


DRAWING MADE IN THIRD ANGLE PROJECTION
 THIS DRAWING IS UNPUBLISHED. RELEASED FOR PUBLICATION
 © COPYRIGHT 19 BY AMP INCORPORATED. ALL INTERNATIONAL RIGHTS RESERVED.

LOC	DIST	P	F	ZONE	LTR	REVISIONS	DATE	APPD
BD	48					A REDRAWN	5-28-90	-
						B REV PER ECN B05049	7-2-91	TMS
						C ADDED-2 NPR3889 WAS 91-5788-4-1	01/02/92	TMS
						D OBS -2 PER ECN B05856	01/17/92	TMS
						E REACTIVATED -2 PER NPR 3975	02/14/92	TMS
						F OBS -2 PER EC 0020-724-95	11 MAR 96	JCS



RCPT CONNECTOR
 INSERT: BLACK GLASS-FILLED NYLON, 94V-0 RATED.
 SHELL: STEEL PER ASTM A109, BRIGHT TIN PLATED PER MIL-T-10727.



- ⚠ RCPT ACCEPTS SIZE 20 PIN CONTACTS (CONTACTS MUST BE ORDERED SEPARATELY).
- 2. ALL PARTS SHIPPED UNASSEMBLED, EACH PART INDIVIDUALLY BULK PACKED.
- ⚠ SHIELDS, MATERIAL-.020 THICK STEEL, TIN PLATED PER MIL-T-10727.
- ⚠ RAISED CAVITY IDENTIFICATION AND AMP TRADEMARK.

OBSOLETE	WITHOUT	747539-2
	WITH	747539-1
APERTURE HOLE		PART NUMBER

DO NOT SCALE PRINT. UNLESS SPECIFIED DIMENSIONS IN INCHES TOLERANCES ON : 2 PLC DEC ± - 3 PLC DEC ± .005 ANGLES ± 0°30'	DR 5/29/90 A. STAUB BG CHK J. McCLINTON 8-31-90 APPD B. TAYLOR 9-4-90 APPD J. ASSINI 9-4-90 PRODUCT SPEC - APPLICATION SPEC - WEIGHT -	AMP AMP INCORPORATED Morrisburg, Pa. 17105 NAME KIT, RCPT, SHIELDING HARDWARE, SIZE 2, 15 POSN, HDP-20, AMPLIMITE™	
SEE CALL OUT ⚠	SEE CALL OUT ⚠	SIZE C	FSCM NO 00779
		SCALE 2:1	DRAWING NO 747539
			SHEET 1 OF 1

CUSTOMER DRAWING