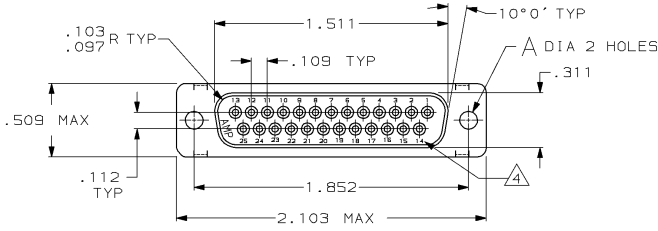
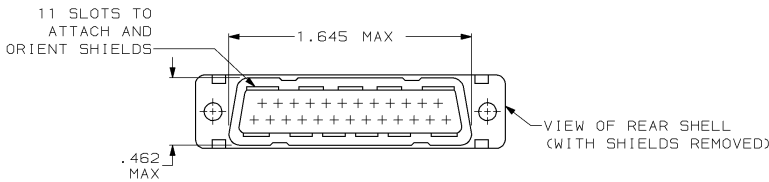
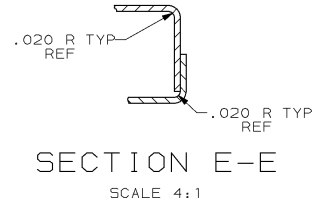
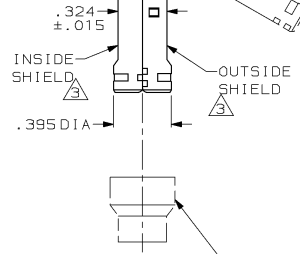
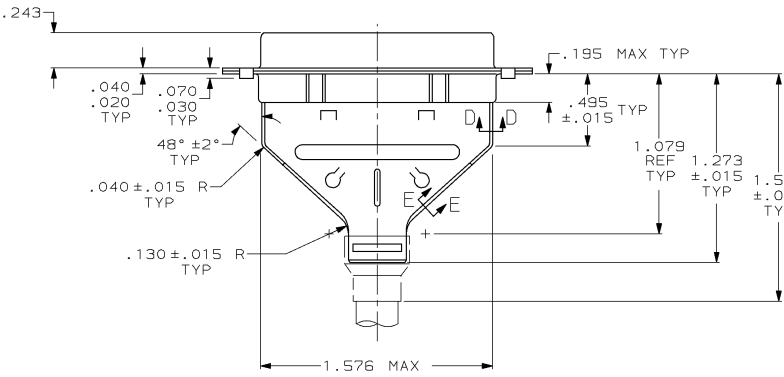
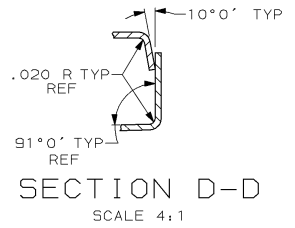


4 3 2 1
 DRAWING MADE IN THIRD ANGLE PROJECTION
 THIS DRAWING IS UNPUBLISHED. RELEASED FOR PUBLICATION
 © COPYRIGHT 19 BY AMP INCORPORATED. ALL INTERNATIONAL RIGHTS RESERVED.

LOC	DIST	P	F	ZONE	LTR	REVISIONS	DATE	APPD
BD	48				B	REDRAWN	5/30/90	-
					C	REV PER ECN BD4493	12/17/90	-
					D	ADDED -2 PER NPR 4125, WAS 92-5788-10-1	04/20/92	TS
					E	ADDED -3 PER NPR 4258	07/08/92	SB
					F	OBS -3 PER EC 0420-143-96	07 NOV 97	SB



RCPT CONNECTOR
 INSERTS: BLACK GLASS-FILLED
 NYLON, 94V-0 RATED.
 SHELLS: STEEL PER ASTM A109,
 BRIGHT TIN PLATED
 PER MIL-T-10727.



FERRULE (MUST BE PURCHASED SEPARATELY)

OBSOLETE		
	.150/.160	747555-2
	.115/.125	747555-1
A		PART NUMBER

- ⚠ RCPT ACCEPTS SIZE 20 SOCKET CONTACTS (CONTACTS MUST BE ORDERED SEPARATELY).
- 2. ALL PARTS SHIPPED UNASSEMBLED, EACH PART INDIVIDUALLY BULK PACKED.
- ⚠ SHIELDS: MATERIAL-.020 THICK STEEL, TIN PLATED PER MIL-T-10727.
- ⚠ RAISED CAVITY IDENTIFICATION AND AMP TRADEMARK.
- ⚠ SEE RESTRICTED CUSTOMER DRAWING 747555-3.

DO NOT SCALE PRINT. UNLESS SPECIFIED DIMENSIONS IN INCHES TOLERANCES ON + 2 PLC DEC # - 3 PLC DEC # .005 ANGLES ± 0°30'	DR 5/30/90 A. STAUB BG CHK 8-31-90 J. McCLINTON APPD 9-4-90 BOB TAYLOR	AMP AMP INCORPORATED Harrisburg, Pa. 17105 KIT, RCPT, SHIELDING HARDWARE, SIZE 3, 25 POSN, HDP-20, AMPLIMITE™	
MATERIAL SEE CALL OUT ⚠	APPD 9-4-90 J. ASSINI PRODUCT SPEC -		
FINISH SEE CALL OUT ⚠	APPLICATION SPEC -	SIZE C	FSCM NO 00779
WEIGHT -		DRAWING NO 747555	SHEET 1 OF 1

CUSTOMER DRAWING