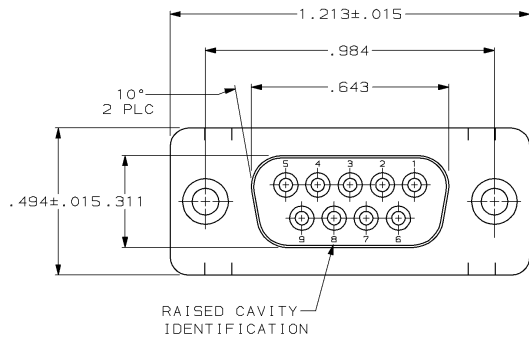
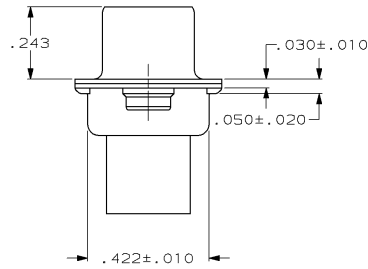
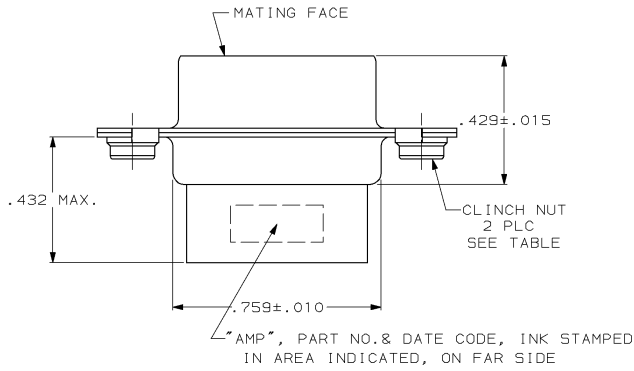


4
3
2
1
DRAWING MADE IN THIRD ANGLE PROJECTION
THIS DRAWING IS UNPUBLISHED. RELEASED FOR PUBLICATION
© COPYRIGHT 19 BY AMP INCORPORATED. ALL INTERNATIONAL RIGHTS RESERVED.

LOC	DIST	P	F	ZONE	LTR	REVISIONS	DATE	APPD
BD	48				O	RELEASED	-	-
					O1	REVISED ECN-0755	10-15-84	SW
					A	ADDED -2 PER NPR 3518	5-10-81	-
					B	OBS -2 PER EC 0420-141-96	23 SEPT 97	SB



- 1. CONNECTOR ACCEPTS SIZE 20 DF SOCKET CONTACTS, RETENTION TINES ARE AN INTEGRAL PART OF INSERT.
- △ FLAME RETARDANT 94V-0 RATED THERMOPLASTIC, COLOR: BLACK.
- △ STEEL PER QQ-S-598.
- △ TIN PLATED PER MIL-T-10727.



OBSELETE	M-3	745907-2
	4-40	745907-1
	CLINCH NUT THREAD TYPE	PART NO

DO NOT SCALE PRINT. UNLESS SPECIFIED DIMENSIONS ARE IN INCHES TOLERANCES ON: 2 PLC DEC # - 3 PLC DEC # .005 ANGLES ± 2°	DR 7-8-82 J.GERACE CHK 7-9-82 J.GERACE APPD 8-4-82 J.FULPONI	AMP AMP Incorporated Harrisburg, PA 17105-3608	
MATERIAL MOLDED PARTS: △ SHELLS: △	APPD 8-4-82 E.GILL PRODUCT SPEC 108-40005	NAME RECEPTACLE CONNECTOR, SIZE 1, 9 POSN, WITH CLINCH NUTS, AMPLIMITE HDP	
FINISH SHELLS: △	APPLICATION SPEC -	SIZE C 00779	DRAWING NO 745907
WEIGHT -		SCALE -	SHEET 1 OF 1

CUSTOMER DRAWING

745907

A