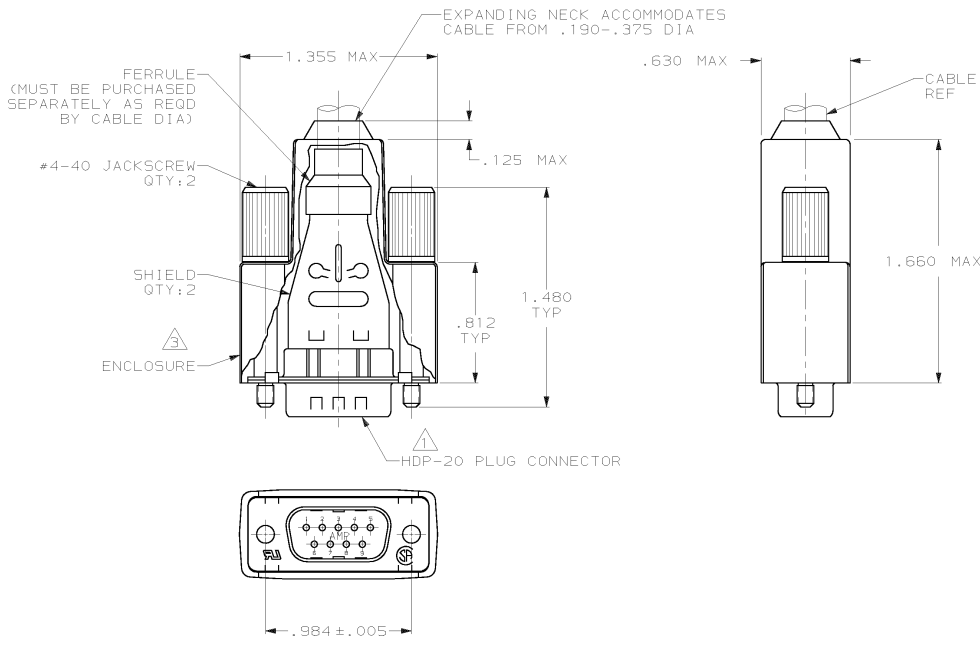


DRAWING MADE IN THIRD ANGLE PROJECTION
 THIS DRAWING IS UNPUBLISHED. RELEASED FOR PUBLICATION .19
 © COPYRIGHT 19 BY AMP INCORPORATED. ALL INTERNATIONAL RIGHTS RESERVED.

LOC		DIST		REVISIONS				DATE	APPD
BD	48	P	F	ZONE	LTR	DESCRIPTION	DATE	APPD	
					T	REV PER EC OUID-0260-00	13 SEP 91	JR	



- △ PLUG ACCEPTS SIZE 20 DF PIN CONTACTS. CONTACTS MUST BE PURCHASED SEPARATELY.
- 2. ALL PARTS SHIPPED UNASSEMBLED.
- △ FLAME RETARDANT 94V-0 RATED, STYRENE POLYOLEFIN OR PVC, BLACK.
- △ FLAME RETARDANT 94V-0 RATED GLASS FILLED, NYLON OR POLYESTER, BLACK.
- △ STEEL PER ASTM A109.
- △ TIN PLATING PER MIL-T-10727.
- △ BODY: BLACK ELECTROLESS NICKEL PER QQ-N-290.
- △ COMPONENTS INDIVIDUALLY BULK PACKED.
- △ INDIVIDUAL KIT PACKAGING OF COMPONENTS.
- △ SEE RESTRICTED CUSTOMER DRAWING 747952-4.
- △ SEE RESTRICTED CUSTOMER DRAWING 747952-5.
- △ ZINC ALLOY.
- △ BODY: CARBON STEEL PER ASTM A 108. HEAD: PVC 94V-0 RATED, BLACK.
- △ PHOS-E COATING, BLACK.

OBSOLETE	△8	W/LOGO	△7	△13	747952-6
	-	-	-	-	△11
OBSOLETE	△9	W/LOGO	△14	△12	747952-3
SUPERSEDED BY 747952-1	△8	W/OUT LOGO	△14	△12	747952-2
	△8	W/LOGO	△14	△12	747952-1
PACKAGING	REMARKS	JACKSCREWS FINISH	JACKSCREWS MATERIAL	PART NUMBER	

DO NOT SCALE PRINT. UNLESS SPECIFIED DIMENSIONS IN INCHES TOLERANCES ON : 2 PLC DEC ± - 3 PLC DEC ± .020 ANGLES ± -	DR 6-1-90 J GALLUCCI B6 CHK 8-22-90 J.McCLINTON APPD 8-23-90 BOB TAYLOR	AMP INCORPORATED Hamersburg, Pa. 17105	
MATERIAL INSERT: △4 SHELLS & SHIELDS: △5 JACKSCREW: SEE TABLE	APPD - J.ASSINI PRODUCT SPEC 108-40030	NAME PLUG KIT, SHIELDING ENCLOSURE, 9 POSN, SIZE 1, HDP-20 AMPLIMITE™	
FINISH SHELLS & SHIELDS: △6 JACKSCREW: SEE TABLE	APPLICATION SPEC 114-40009	SIZE C	FSCM NO 00779
WEIGHT -	SCALE 2:1	DRAWING NO 747952	SHEET 1 OF 1