

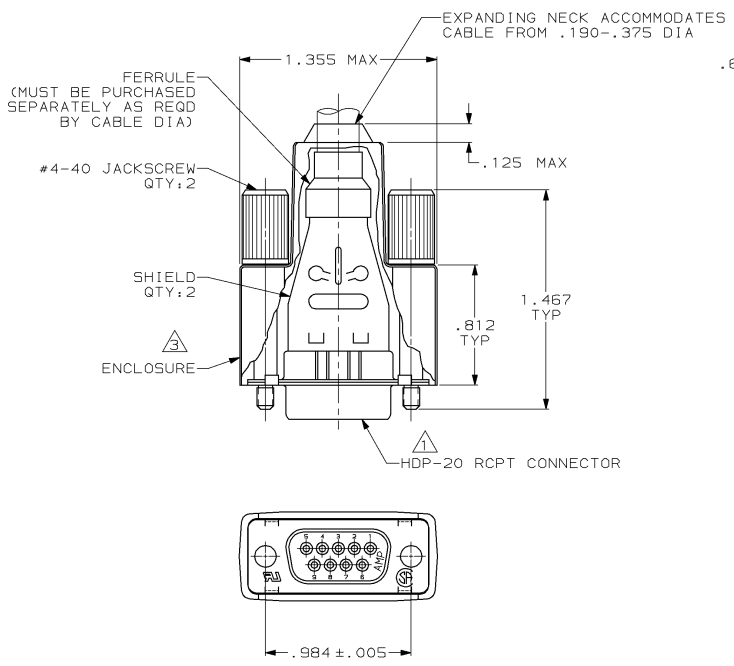
4  
3  
2  
1

DRAWING MADE IN THIRD ANGLE PROJECTION

THIS DRAWING IS UNPUBLISHED. RELEASED FOR PUBLICATION .19

© COPYRIGHT 19 BY AMP INCORPORATED. ALL INTERNATIONAL RIGHTS RESERVED.

LOC	DIST	P	F	ZONE	LTR	REVISIONS	DATE	APPD
BD	48					G REDRAWN	5/1/90	-
						H REV PER ECN BD4814	05/31/91	-
						J REV PER ECN BD5049	7-2-91	TMS
						K REV PER ECN BD6133	04/02/92	TMS
						L ADDED -4 PER NPR 4258	07/09/92	SB
						M ADDED -5 PER EC 0020-113-95	03/20/95	JCS
						N REV PER EC 0020-602-95	06/13/95	JS
						P OBSOLETE -4 & -5 PER EC 0420-143-96	07 NOV 97	SB



- 1 RECEPTACLE ACCEPTS SIZE DF SOCKET CONTACTS. CONTACTS MUST BE PURCHASED SEPARATELY.
- 2 ALL PARTS SHIPPED UNASSEMBLED.
- 3 STYRENE POLYOLEFIN OR PVC, 94V-0 RATED, FLAME RETARDANT, BLACK.
- 4 NYLON OR POLYESTER, 94V-0 RATED, GLASS FILLED, FLAME RETARDANT, BLACK.
- 5 STEEL PER ASTM A109.
- 6 TIN PLATING PER MIL-T-10727.
- 7 ZINC PLATING PER ASTM B633, TYPE II, CLASS SCI, BLACK CHROMATE.
- 8 COMPONENTS INDIVIDUALLY BULK PACKED.
- 9 INDIVIDUAL KIT PACKAGING OF COMPONENTS.
- 10 SEE RESTRICTED CUSTOMER DRAWING 747951-4.
- 11 BLACK ELECTROLESS NICKEL PER QQ-N-290.

OBSOLETE	△	W/LOGO	△	CARBON STEEL	747951-5	
OBSOLETE					10	
OBSOLETE	△	W/LOGO	△	ZINC ALLOY	747951-3	
OBSOLETE	△	W/OUT LOGO	△	ZINC ALLOY	747951-2	
OBSOLETE	△	W/LOGO	△	ZINC ALLOY	747951-1	
		PACKAGING	REMARKS	JACKSCREW FINISH	JACKSCREW MATERIAL	PART NUMBER

DO NOT SCALE PRINT. UNLESS SPECIFIED DIMENSIONS IN INCHES TOLERANCES ON : 2 PLC DEC # - 3 PLC DEC # .020 ANGLES ± -	DR 6/4/90 A. STAUB BG CHK 8-31-90 J. McCLINTON APPD 9-4-90 BOB TAYLOR APPD 9-4-90 J. ASSINI PRODUCT SPEC -	<b>AMP</b> AMP INCORPORATED Murrumburg, Pa. 17105  BULK KIT, RCPT, AMPLIMITE™, SHIELDING ENCLOSURE, 9 POSN, SIZE 1, HDP-20		
MATERIAL INSERT: △ SHELLS & SHIELDS: △ JACKSCREWS: SEE TABLE	APPLICATION SPEC -	SIZE <b>C</b>	FSCM NO 00779	DRAWING NO 747951
FINISH SHELLS & SHIELDS: △ JACKSCREWS: SEE TABLE	WEIGHT -	SCALE 2:1	SHEET 1 OF 1	

747951