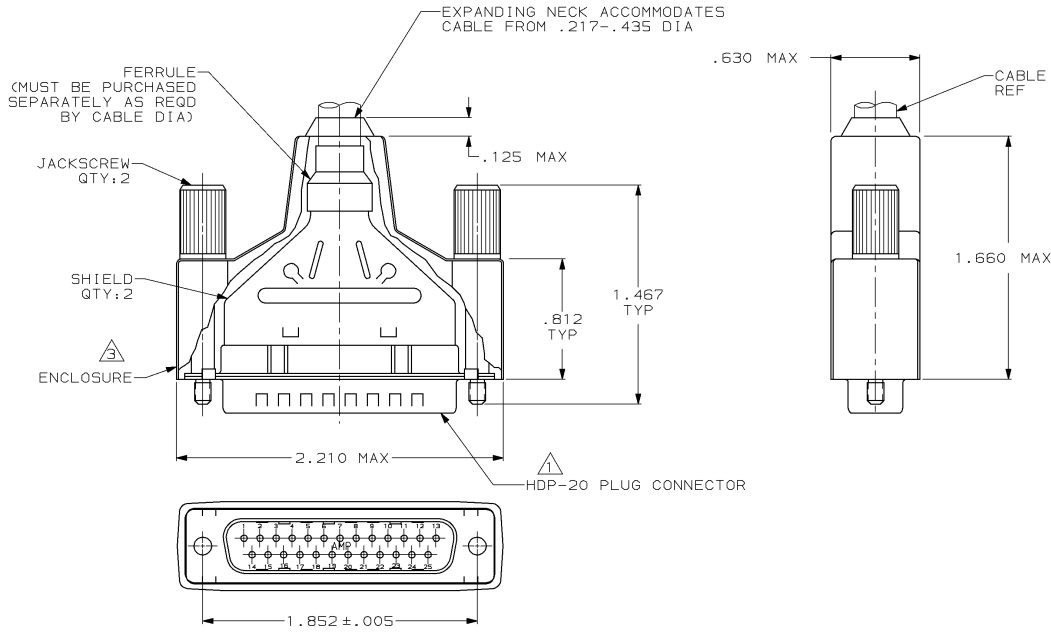


DRAWING MADE IN THIRD ANGLE PROJECTION
 THIS DRAWING IS UNPUBLISHED. RELEASED FOR PUBLICATION
 © COPYRIGHT 19 BY AMP INCORPORATED. ALL INTERNATIONAL RIGHTS RESERVED.

LOC	DIST	P	F	ZONE	LTR	REVISIONS	DATE	APPD
BD	48					H REV PER ECN BD4814	05/21/91	-
						J REVISED PER ECN BD6133	04/02/92	TMS
						K ADDED -4 PER NPR 4258	07/08/92	SB
						L ADDED -5 PER EC 0020-40-95	01/18/95	JS
						M REV PER EC 0020-373-95	04/25/95	JS
						N REV PER EC 0020-602-95	05/13/95	JS
						P OBS -2 PER EC 0020-524-96	23 AUG 96	LF
						R OBS -5 PER EC 0420-145-96	18 SEP 97	SB



- △ PLUG ACCEPTS SIZE 20 DF PIN CONTACTS. CONTACTS MUST BE PURCHASED SEPARATELY.
- 2. ALL PARTS SHIPPED UNASSEMBLED.
- △ FLAME RETARDANT 94V-0 RATED, STYRENE POLYOLEFIN OR PVC, BLACK.
- △ FLAME RETARDANT 94V-0 RATED GLASS FILLED, NYLON OR POLYESTER, BLACK.
- △ STEEL PER ASTM A109.
- △ TIN PLATING PER MIL-T-10727.
- △ BODY: BLACK ELECTROLESS NICKEL PER QQ-N-290.
- △ COMPONENTS INDIVIDUALLY BULK PACKED.
- △ INDIVIDUAL KIT PACKAGING OF COMPONENTS.
- △ SEE RESTRICTED CUSTOMER DRAWING 747956-4.
- △ ZINC ALLOY.
- △ BODY: CARBON STEEL PER ASTM A 108. HEAD: PVC 94V-0 RATED, BLACK.
- △ PHOS-E COATING, BLACK.

OBsolete	△	W/LOGO	△	△	747956-5
OBsolete	△	W/LOGO	-13	-11	747956-3
OBsolete	△	W/OUT LOGO	13	11	747956-2
	△	W/LOGO	13	11	747956-1
PACKAGING		REMARKS	JACKSCREWS FINISH	JACKSCREWS MATERIAL	PART NUMBER

DO NOT SCALE PRINT. UNLESS SPECIFIED DIMENSIONS IN INCHES TOLERANCES ON: 2 PLC DEC # - 3 PLC DEC # .020 ANGLES ± -	DR 6-4-90 J GALLUCCI BG CHK 8-31-90 J. McCLINTON APPD 9-4-90 BOB TAYLOR	AMP AMP INCORPORATED Morrisburg, Pa. 17105 NAME BULK KIT, PLUG, AMPLIMITE™, SHIELDING ENCLOSURE, 25 POSN, SIZE 3, HDP-20		
MATERIAL INSERT: △ SHELLS & SHIELDS: △ JACKSCREWS: SEE TABLE	APPD 9-4-90 J. ASSINI PRODUCT SPEC -	SIZE C	FSCM NO 00779	DRAWING NO 747956
FINISH SHELLS & SHIELDS: △ JACKSCREWS: SEE TABLE	APPLICATION SPEC -	WEIGHT -	SCALE 2:1	SHEET 1 OF 1