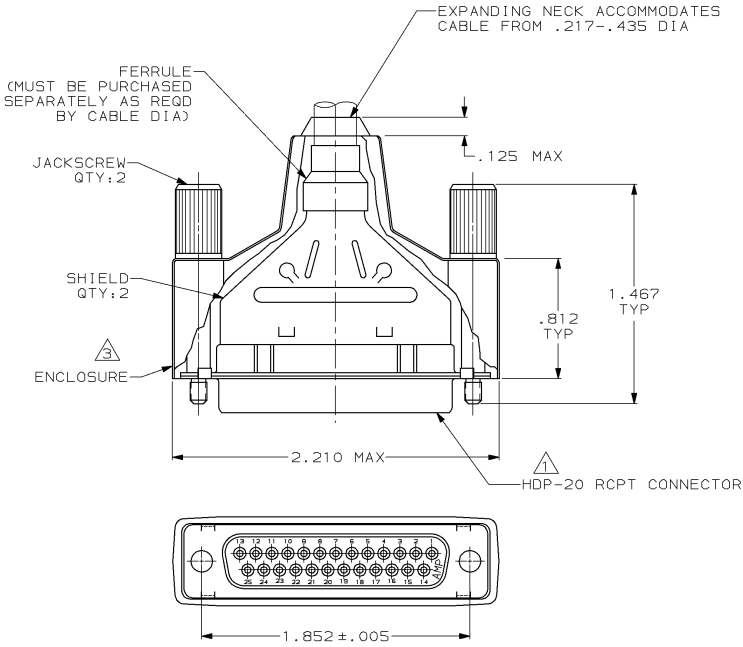


DRAWING MADE IN THIRD ANGLE PROJECTION
 THIS DRAWING IS UNPUBLISHED. RELEASED FOR PUBLICATION .19
 © COPYRIGHT 19 BY AMP INCORPORATED. ALL INTERNATIONAL RIGHTS RESERVED.

LOC	DIST	P	F	ZONE	LTR	REVISIONS	DATE	APPD
BD	48					F REDRAWN	5/4/90	-
						G REV PER ECN BD4493	12/17/90	-
						H REV PER ECN BD4814	05/31/91	-
						J REVISED PER ECN BD6133	04/02/92	TMS
						K ADDED -4 PER NPR 4258	07/09/92	SB
						L ADDED -5 PER EC 0020-40-95	01/18/95	JS
						M REV PER EC 0020-373-95	04/25/95	JS
						N REV PER EC 0020-602-95	06/13/95	JS
						P OBS -2 PER EC 0020-524-96	23 AUG 96	LF
						R OBS -4 PER EC 0420-143-96	18 SEP 97	SB
						S OBS -5 PER EC 0420-145-96	23 SEP 97	SB



- △ RCPT ACCEPTS SIZE 20 DF SOCKET CONTACTS. CONTACTS MUST BE PURCHASED SEPARATELY.
- 2. ALL PARTS SHIPPED UNASSEMBLED.
- △ FLAME RETARDANT 94V-0 RATED, STYRENE POLYOLEFIN OR PVC, BLACK.
- △ FLAME RETARDANT 94V-0 RATED GLASS FILLED, NYLON OR POLYESTER, BLACK.
- △ STEEL PER ASTM A109.
- △ TIN PLATING PER MIL-T-10727.
- △ BODY: BLACK ELECTROLESS NICKEL PER QQ-N-290.
- △ COMPONENTS INDIVIDUALLY BULK PACKED.
- △ INDIVIDUAL KIT PACKAGING OF COMPONENTS.
- 10 SEE RESTRICTED CUSTOMER DRAWING 747955-4.
- 11 ZINC ALLOY.
- 12 BODY: CARBON STEEL PER ASTM A 108. HEAD: PVC 94V-0 RATED, BLACK.
- 13 PHOS-E COATING, BLACK.

OBsolete	△	W/LOGO	△	△	747955-5
OBsolete	△	W/LOGO	-13	-11	747955-3
OBsolete	△	W/OUT LOGO	13	11	747955-2
	△	W/LOGO	13	11	747955-1
PACKAGING		REMARKS	JACKSCREWS FINISH	JACKSCREWS MATERIAL	PART NUMBER

DO NOT SCALE PRINT. UNLESS SPECIFIED DIMENSIONS IN INCHES TOLERANCES ON: 2 PLC DEC # - 3 PLC DEC # .020 ANGLES ± -	DR 6/4/90 A. STAUB BG CHK 8-31-90 J. McCLINTON APPD 9-4-90 BOB TAYLOR APPD 9-4-90 J. ASSINI PRODUCT SPEC - APPLICATION SPEC - WEIGHT -	AMP INCORPORATED Murrysburg, Pa. 17105 NAME BULK KIT, RCPT, AMPLIMITE™, SHIELDING ENCLOSURE, 25 POSN, SIZE 3, HDP-20 SIZE C FSCM NO 00779 DRAWING NO 747955 SCALE 2:1 SHEET 1 OF 1
--	--	--