

DRAWING MADE IN THIRD ANGLE PROJECTION

3

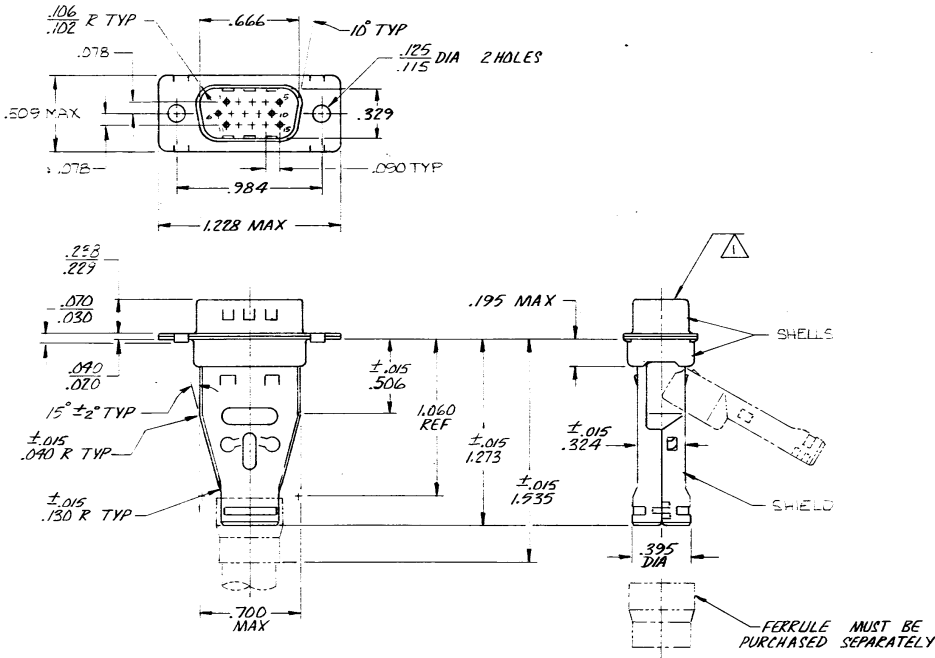
2

1

LOC DIS  
80 13

THIS DRAWING IS UNPUBLISHED. RELEASED FOR PUBLICATION 19  
 © COPYRIGHT 19 BY AMP INCORPORATED, HARRISBURG, PA. ALL INTERNATIONAL RIGHTS RESERVED. AMP PRODUCTS MAY BE COVERED BY U.S. AND FOREIGN PATENTS AND/OR PATENTS PENDING.

| P |  | F |  | Z |  | L |  | R |  | REVISIONS |                          | DATE | APPROVED |
|---|--|---|--|---|--|---|--|---|--|-----------|--------------------------|------|----------|
|   |  |   |  |   |  |   |  |   |  | 0         | RELEASED - WAS 86-5518-1 |      |          |



1. PLUG ACCEPTS SIZE 22 PIN CONTACTS (CONTACTS MUST BE ORDERED SEPARATELY).
2. ALL PARTS SHIPPED UNASSEMBLED, EACH PART INDIVIDUALLY BULK PACKED.
3. FLAME RETARDANT 94 V-0 RATED GLASS FILLED NYLON OR POLYESTER, COLOR: BLACK.

|   |  |  |  |  |  |
|---|--|--|--|--|--|
| UNLESS OTHERWISE SPECIFIED DIMENSIONS ARE IN INCHES.        |  | CONTRACT NO                                    |  | PART NO  |  |
| TOLERANCES ON:<br>DECIMALS ±.005<br>ANGLES ± 0° 30'         |  | DR<br>CHK<br>DATE 8/12/83<br>BY [Signature]    |  | AMP   AMP INCORPORATED<br>Harrisburg, Pa. 17105                                |  |
| MATERIAL INSERT: A<br>SHELLS & SHIELDS:<br>AS PER ASTM A109 |  | APPD<br>APPD<br>DATE 8/10/87<br>BY [Signature] |  | NAME<br>KIT, PLUG, SHIELDING<br>HARDWARE, 5 POSN, SIZE 1,<br>AMPLIMITE® HDP-22 |  |
| FINISH SHELLS AND SHIELDS: TIN PLATED PER MIL-T-10727       |  | DSGN APPD<br>OTHER APPD                        |  | SIZE<br>C  |  |
|   |  | FSCM NO<br>00779                               |  | DRAWING NO<br>743425   |  |
|   |  | SCALE<br>2:1                                   |  | SHEET 1 OF 1   |  |

AMP 1471-6 REV 2-81

CUSTOMER DRAWING

743425