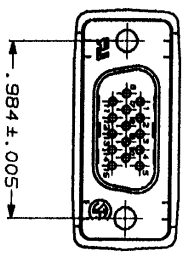
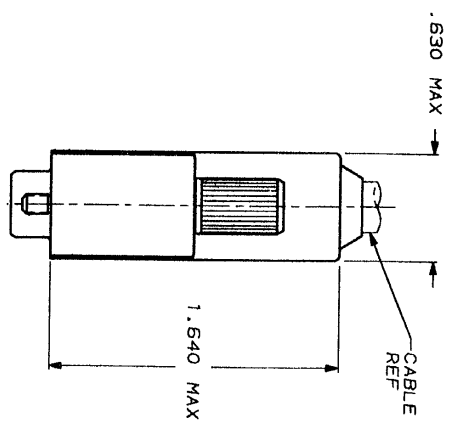
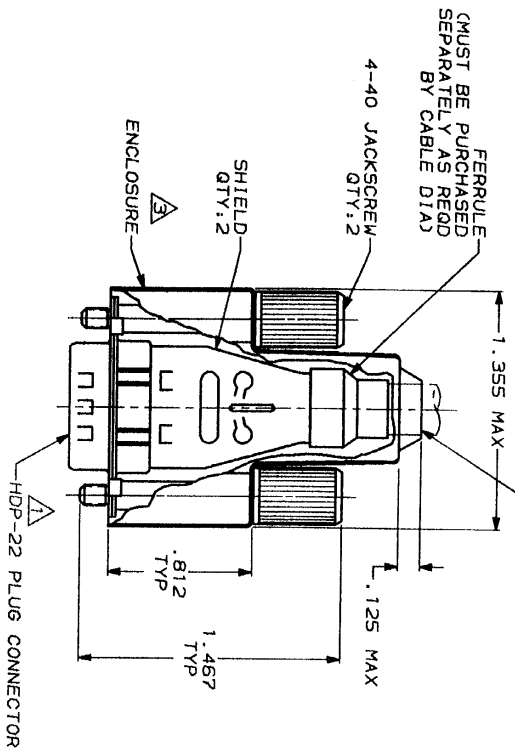


EXPANDING NECK ACCOMMODATES
 CABLE FROM .190-.375 DIA



1. PLUG ACCEPTS SIZE 22 DF PIN CONTACTS. CONTACTS MUST BE PURCHASED SEPARATELY.
2. ALL PARTS SHIPPED UNASSEMBLED.
3. FLAME RETARDANT 94V-0 RATED, STYRENE POLYOLEFIN OR PVC, BLACK.
4. FLAME RETARDANT 94V-0 RATED GLASS FILLED, NYLON OR POLYESTER, BLACK.
5. STEEL PER ASTM A109.
6. TIN PLATING PER MIL-T-10727.
7. ZINC PLATING PER ASTM B633, TYPE II, CLASS SCI, BLACK CHROMATE.
8. COMPONENTS INDIVIDUALLY BULK PACKED.
9. INDIVIDUAL KIT PACKAGING OF COMPONENTS.

REV	DATE	APPD	DESCRIPTION
1	7-3-91	TMS	REDESIGN AND REV EGN B05049
2	7-3-91	TMS	REVISED PER ECN B06133

748473-2	748473-1
748473-2	748473-1
748473-2	748473-1

DR 7-3-91	CHK 8-2-91	APPD 8-5-91	NAME
R. SHIREY	R. STONE	T.M. SPANGLER	AMP INCORPORATED
2 PLC DEC # .000	3 PLC DEC # .000	APPD 8-7-91	AMP INCORPORATED
INSERT, SHIELDS, JACKSCREWS, ZINC ALLOY	INSERT, SHIELDS, JACKSCREWS, ZINC ALLOY	J. ASSINI	AMP INCORPORATED
DO NOT SCALE PRINT.	FINISH	PRODUCT SPEC	AMP INCORPORATED
UNLESS SPECIFIED DIMENSIONS ARE IN INCHES	SHIELDS & SHIELDS, JACKSCREWS, ZINC ALLOY	APPLICATION SPEC	AMP INCORPORATED
TOLERANCES ON DIMENSIONS	SHIELDS & SHIELDS, JACKSCREWS, ZINC ALLOY	SCALE 2:1	AMP INCORPORATED
1 ± .005	SHIELDS & SHIELDS, JACKSCREWS, ZINC ALLOY	SIZE C 00779	AMP INCORPORATED
2 ± .005	SHIELDS & SHIELDS, JACKSCREWS, ZINC ALLOY	DRIVING NO 748473	AMP INCORPORATED
3 ± .005	SHIELDS & SHIELDS, JACKSCREWS, ZINC ALLOY	SCALE 2:1	AMP INCORPORATED
4 ± .005	SHIELDS & SHIELDS, JACKSCREWS, ZINC ALLOY	WEIGHT -	AMP INCORPORATED
5 ± .005	SHIELDS & SHIELDS, JACKSCREWS, ZINC ALLOY	SIZE C 00779	AMP INCORPORATED
6 ± .005	SHIELDS & SHIELDS, JACKSCREWS, ZINC ALLOY	DRIVING NO 748473	AMP INCORPORATED
7 ± .005	SHIELDS & SHIELDS, JACKSCREWS, ZINC ALLOY	SCALE 2:1	AMP INCORPORATED
8 ± .005	SHIELDS & SHIELDS, JACKSCREWS, ZINC ALLOY	WEIGHT -	AMP INCORPORATED
9 ± .005	SHIELDS & SHIELDS, JACKSCREWS, ZINC ALLOY	SIZE C 00779	AMP INCORPORATED
10 ± .005	SHIELDS & SHIELDS, JACKSCREWS, ZINC ALLOY	DRIVING NO 748473	AMP INCORPORATED
11 ± .005	SHIELDS & SHIELDS, JACKSCREWS, ZINC ALLOY	SCALE 2:1	AMP INCORPORATED
12 ± .005	SHIELDS & SHIELDS, JACKSCREWS, ZINC ALLOY	WEIGHT -	AMP INCORPORATED
13 ± .005	SHIELDS & SHIELDS, JACKSCREWS, ZINC ALLOY	SIZE C 00779	AMP INCORPORATED
14 ± .005	SHIELDS & SHIELDS, JACKSCREWS, ZINC ALLOY	DRIVING NO 748473	AMP INCORPORATED
15 ± .005	SHIELDS & SHIELDS, JACKSCREWS, ZINC ALLOY	SCALE 2:1	AMP INCORPORATED
16 ± .005	SHIELDS & SHIELDS, JACKSCREWS, ZINC ALLOY	WEIGHT -	AMP INCORPORATED
17 ± .005	SHIELDS & SHIELDS, JACKSCREWS, ZINC ALLOY	SIZE C 00779	AMP INCORPORATED
18 ± .005	SHIELDS & SHIELDS, JACKSCREWS, ZINC ALLOY	DRIVING NO 748473	AMP INCORPORATED
19 ± .005	SHIELDS & SHIELDS, JACKSCREWS, ZINC ALLOY	SCALE 2:1	AMP INCORPORATED
20 ± .005	SHIELDS & SHIELDS, JACKSCREWS, ZINC ALLOY	WEIGHT -	AMP INCORPORATED

CUSTOMER DRAWING