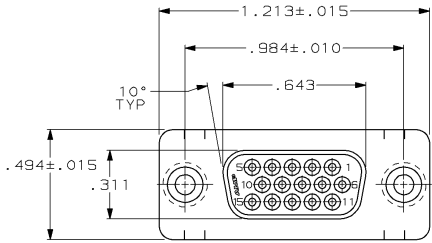
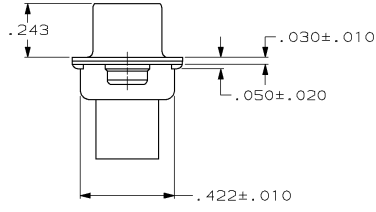
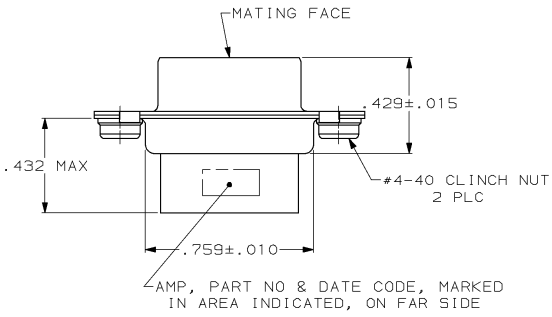


DRAWING MADE IN THIRD ANGLE PROJECTION
 THIS DRAWING IS UNPUBLISHED. RELEASED FOR PUBLICATION
 © COPYRIGHT 19 BY AMP INCORPORATED. ALL INTERNATIONAL RIGHTS RESERVED.

LOC	DIST	P	F	ZONE	LTR	REVISIONS	DATE	APPD
BD	39					0 RELEASED	-	-



- CONNECTOR ACCEPTS SIZE 22 DF SOCKET CONTACTS, RETENTION TINES ARE AN INTEGRAL PART OF INSERT.
- FLAME RETARDANT 94V-0 RATED GLASS FILLED NYLON, COLOR: BLACK.
- STEEL PER ASTM A109.
- STEEL.
- TIN PLATED PER MIL-T-10727.
- ZINC PLATED PER ASTM B633, TYPE II, CLASS SC1, YELLOW CHROMATE.



748696-1
PART NO

DO NOT SCALE PRINT. UNLESS SPECIFIED DIMENSIONS IN INCHES TOLERANCES ON : 2 PLC DEC # - 3 PLC DEC # .005 ANGLES ± 2°	DR - CHK - APPD -	AMP INCORPORATED HOPKINGTON, PA. 17105		
MATERIAL MOLDED PARTS: SHELLS: CLINCH NUTS:	APPD - PRODUCT SPEC			NAME RECEPTACLE CONNECTOR, SIZE 1, 15 POSN, WITH NON-LOCKING CLINCH NUTS, AMPLIMITE® HDP-22
FINISH SHELLS: CLINCH NUTS:	APPLICATION SPEC	SIZE C	FSCM NO 00779	DRAWING NO 748696
WEIGHT -		SCALE 3:1	SHEET 1 OF 1	

CUSTOMER DRAWING

748696