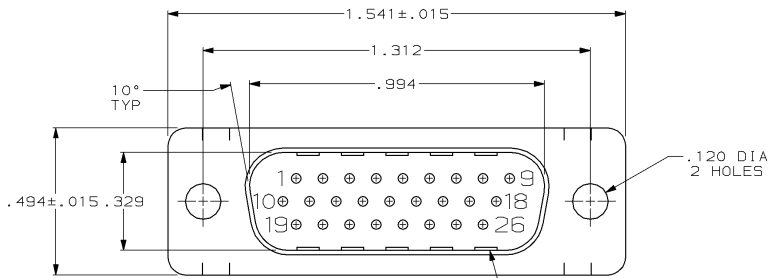


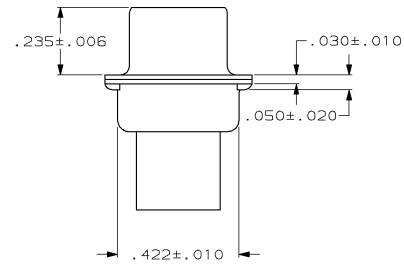
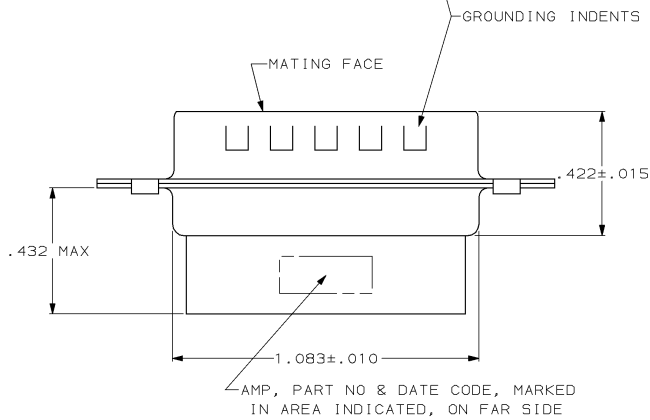
DRAWING MADE IN THIRD ANGLE PROJECTION

THIS DRAWING IS UNPUBLISHED. RELEASED FOR PUBLICATION .19
 © COPYRIGHT 19 BY AMP INCORPORATED, HARRISBURG, PA. ALL INTERNATIONAL RIGHTS RESERVED. AMP PRODUCTS MAY BE COVERED BY U.S. AND FOREIGN PATENTS AND/OR PATENTS PENDING.

LOC	DIST	P	F	ZONE	LTR	DESCRIPTION	DATE	APPROVED
48					0	WAS 86-5528-9	-	-
					A	ADDED -2 PER NPR 2395	05/08/88	-
					B	OBS -2 PER EC 0020-1534-93	04/14/94	PR



- CONNECTOR ACCEPTS SIZE 22 DF PIN CONTACTS, RETENTION TINES ARE AN INTEGRAL PART OF INSERT.
- FLAME RETARDANT 94V-0 RATED GLASS FILLED NYLON, COLOR: BLACK.
- STEEL PER ASTM A109.
- TIN PLATED PER MIL-T-10727.



OBSOLETE	NO	748365-2
	YES	748365-1
	GROUNDING INDENTS	PART NUMBER

UNLESS OTHERWISE SPECIFIED DIMENSIONS ARE IN INCHES TOLERANCES ON : 2 PL DEC ± .005 3 PL DEC ± .005 ANGLES ± 2°	DR 3-27-87 C.RICHARD	AMP INCORPORATED Harrisburg, Pa. 17105 NAME PLUG CONNECTOR, SIZE 2, 26 POSN, AMPLIMITE® HDP-22	
	CHK 3-31-87 S.WELDON		
MATERIAL MOLDED PARTS: SHELLS:	APPD 4-2-87 V.KUMAR	SIZE	FSCM NO
FINISH SHELLS:	PRODUCT SPEC	C	00779
	APPLICATION SPEC	DRAWING NO	748365
	WEIGHT	SCALE	4:1
		SHEET	1 OF 1

AMP 1471-7 REV 10-84

14-APR-94 15:28:30 amp34723 /files/wip/amp34723/edmod

CUSTOMER DRAWING

748365

A