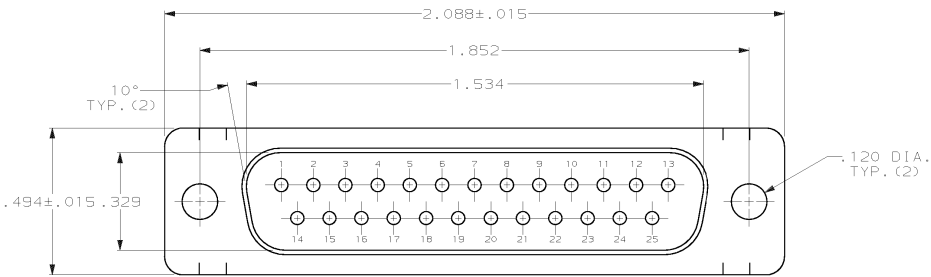
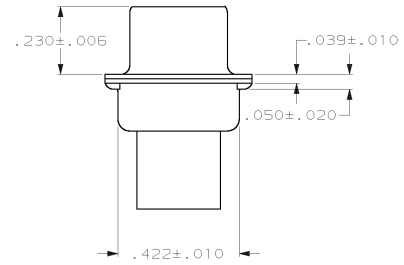
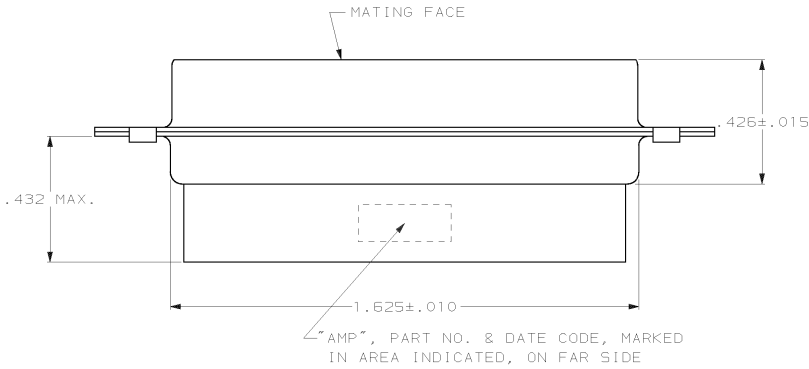


THIS DRAWING IS UNPUBLISHED. RELEASED FOR PUBLICATION .19  
 © COPYRIGHT 19 BY AMP INCORPORATED. ALL INTERNATIONAL RIGHTS RESERVED.

LOC	DIST	P	F	ZONE	LTR	REVISIONS	DATE	APPD
GP	00				G	REVISED PER EC 0513-0023-03	18K103	JG



- CONNECTOR ACCEPTS SIZE 20 DF PIN CONTACTS, RETENTION TINES ARE AN INTEGRAL PART OF INSERT.
  - CONNECTOR COMPLIES WITH AMP SPEC. 108-40005 WHERE APPLICABLE.
- ⚠️ FLAME RETARDANT 94V-0 RATED GLASS FILLED NYLON, COLOR: BLACK.
  - ⚠️ STEEL PER ASTM A109.
  - ⚠️ ZINC PLATED PER ASTM B633; TYPE II; CLASS SC1; YELLOW CHROMATE.



OBSOLETE	SMALL PACK	⚠️	205208-3
	STANDARD	⚠️	205208-1
PACKAGING TYPE	SHELL FINISH		PART NUMBER

MATERIAL		FINISH		WEIGHT		SIZE		CAGE CODE		DRAWING NO	
MOLDED PARTS: ⚠️		SHELLS: ⚠️		SHELLS: SEE TABLE		C		00779		C=205208	
DR 7-19-85 5.WELDON		CHK 7-29-85 J.GERACE		APPD 7-29-85 L.BREKOSKY		APPD 7-31-85 V.KUMAR		APPLICATION SPEC		NAME	
DO NOT SCALE PRINT. UNLESS SPECIFIED DIMENSIONS IN INCHES. TOLERANCES ON : 2 PLC DEC ± 3 PLC DEC ± .005 ANGLES ± 2°		PRODUCT SPEC		-		-		-		PLUG CONNECTOR, SIZE 3, 25 POS., AMPLIMITE™HDP	
AMP Incorporated Harrisburg, PA 17105-3608		SCALE NT5		SHEET 1 OF 1		CUSTOMER DRAWING					

THIS DRAWING IS A CONTROLLED DOCUMENT FOR AMP INCORPORATED. IT IS SUBJECT TO CHANGE AND THE CONTROLLING ENGINEERING ORGANIZATION SHOULD BE CONTACTED FOR THE LATEST REVISION.