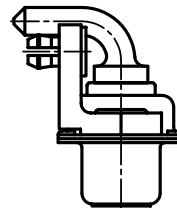
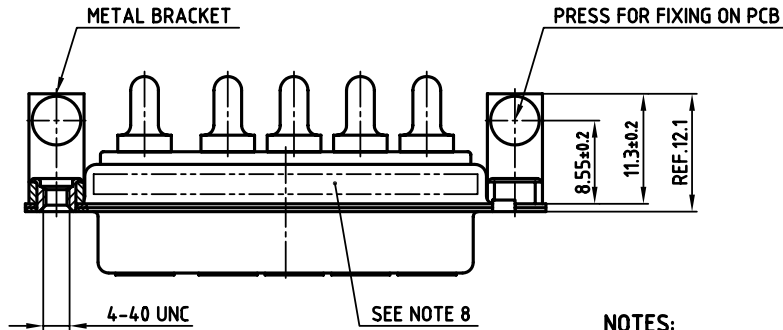
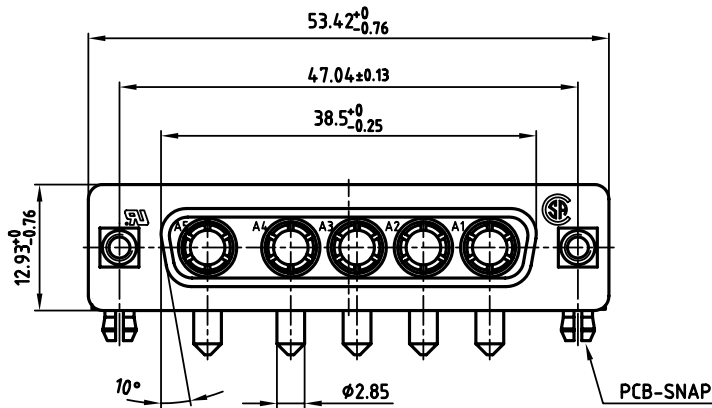
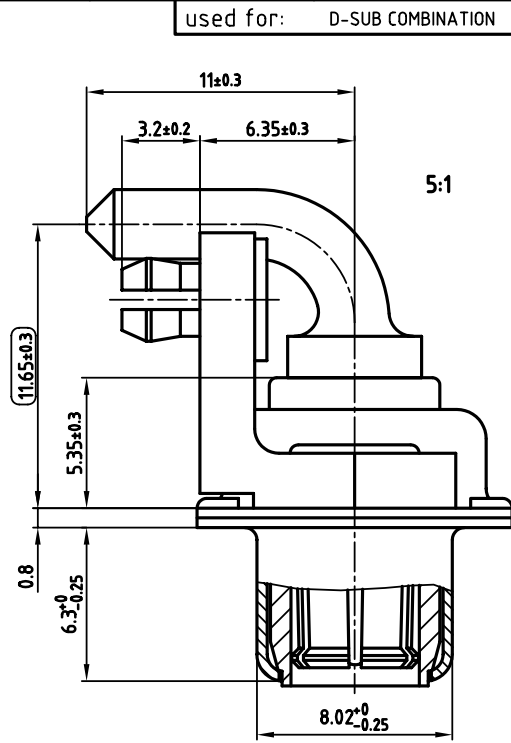


P.C.B. HOLE DRILLINGS



**NOTES:**

- METALSHELLS: STEEL; min. 320μ" TIN
- INSULATORS: PBT GF UL 94 V-0, GREEN
- HIGH POWER CONTACTS 20A: COPPER ALLOY  
PLATING: 30μ" HARD GOLD OVER min. 50μ" NICKEL
- METAL BRACKET: DIE-CASTING; min. 320μ" TIN over 80μ" NICKEL
- THREADED INSERT: COPPER ALLOY; min. 200μ" TIN over 80μ" NICKEL
- PCB-SNAP: COPPER ALLOY; min. 200μ" TIN over 80μ" NICKEL  
PCB-HOLE:  $\phi 3.1 \pm 0.1$ ; PCB THICKNESS 1.6mm
- MAXIMUM TORQUE VALUE FOR THREAD: 6" LBS
- CONNECTOR IS PART MARKED: 3005W5SXX56N40X CONEC ABC
- = CHECK DIMENSION

Directive 2002/95 EC  
RoHS  
Compliant

|  |
|--|
| APPROVAL # FREGABE # DEBLOCAGE # AUTORIZACION # APPROVAL |
| CUSTOMER APPROVAL DATE:                                  |
| NAME: _____ TITLE: _____                                 |
| COMPANY NAME: _____                                      |
| APPROVAL # FREGABE # DEBLOCAGE # AUTORIZACION # APPROVAL |

THIS DRAWING MAY NOT BE COPIED OR REPRODUCED IN ANY WAY, AND MAY NOT BE PASSED ON TO A THIRD PARTY, WITHOUT WRITTEN PERMISSION. OWNERSHIP AND COPYRIGHT OF CONEC GmbH. DO NOT ALTER CAD DRAWING BY HAND

| rev. | description | date | name |
|------|-------------|------|------|
|      |             |      |      |
|      |             |      |      |
|      |             |      |      |
|      |             |      |      |

|              |              |  |                    |
|--------------|--------------|--|--------------------|
| tolerance    |              | scale:   | 2:1 (5:1)          |
| dim. in mm   |              | material:  | SEE NOTES          |
| 2006 date    | name         | title:   |                    |
| drawn 08.02. | Lehmenkühler | D-SUB COMBINATION FEMALE 90°<br>5W5S<br>with threaded insert, metal bracket and clip |                    |
| appd. 08.02. | Mickenbecker |  |                    |
| norm         |              | dwg no:  | AutoCAD 2004 DIN-A |
| d-old        |              |  | 3                  |
| Origin       |              |  | sh: 1/1            |
|              |              | part no: 3005W5SXX56N40X   |                    |