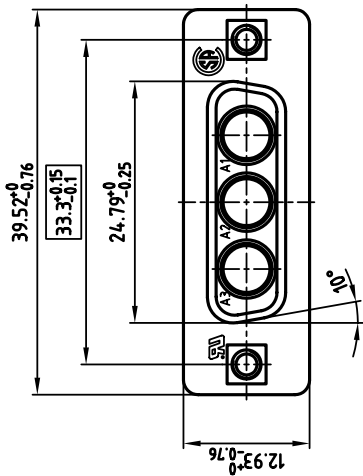
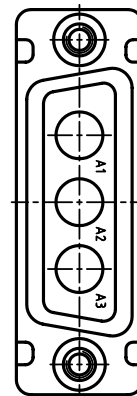
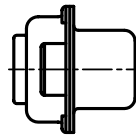
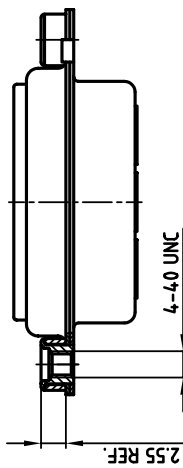
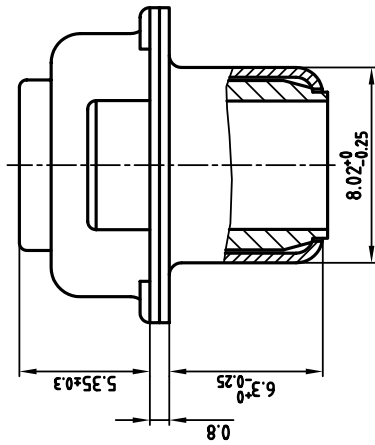


used for: D-SUB COMBINATION



5:1



NOTES:

1. METAL SHELLS: STEEL; min. 320µ" TIN
2. INSULATORS: PBT GF UL 94 V-0, GREEN
3. THREADED INSERT: COPPER ALLOY; min. 200µ" TIN over 80µ" NICKEL
4. COLLAR: COPPER ALLOY; min. 200µ" TIN over 80µ" NICKEL
5. MAXIMUM TORQUE VALUE FOR THREAD: 6" LBS
6. = CRITICAL DIMENSION: SPC



THIS DRAWING MAY NOT BE COPIED OR REPRODUCED IN ANY WAY, AND MAY NOT BE PASSED ON TO A THIRD PARTY WITHOUT WRITTEN PERMISSION.
 OWNERSHIP AND COPYRIGHT OF CONEC GMBH DO NOT ALTER CAD DRAWING BY HAND

rev.	description	date	name

2001	date	name
drawn	26.09.	E. Mickenbecker
appd.	26.09.	J. Pareil
norm		
d-old		

Tolerance: 2:1 (5:1)
 material: SEE NOTES

title: D-SUB COMBINATION FEMALE
 3W3S
 with threaded insert

dwg no: 13K1A348A
 AutoCAD 2000
 DIN-A 3
 sh: 1/1

part no: 3003W3SXX99A30X

