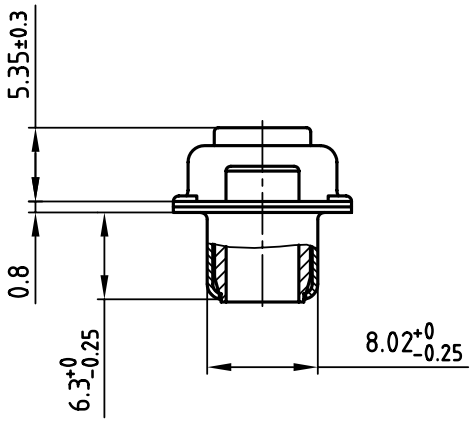
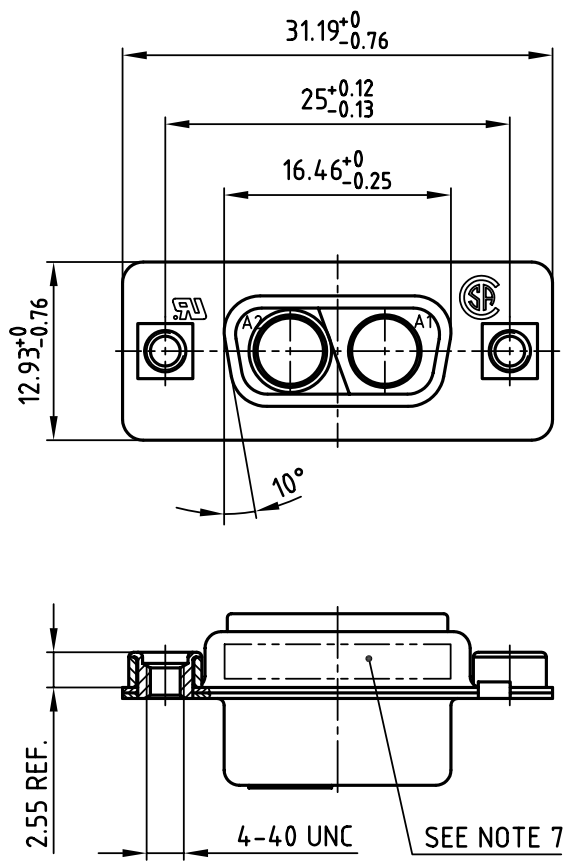


used for: D-SUB COMBINATION



Directive 2002/95/EC
„RoHS“
Compliant

NOTES:

1. METALSHELLS: STEEL; min. 320µ" TIN
2. INSULATORS: PBT GF UL 94 V-0, GREEN
3. NO CONTACTS ON POS. A1+ A2
4. THREADED INSERT: COPPER ALLOY; min. 200µ" TIN over 80µ" NICKEL
5. COLLAR: COPPER ALLOY; min. 200µ" TIN over 80µ" NICKEL
6. MAXIMUM TORQUE VALUE FOR THREAD: 6" LBS
7. CONNECTOR IS PART MARKED: 302W2CSXX99A30X CONEC ABC
8. = CHECK DIMENSION

APPROVAL # FREIGABE # DEBLOCAGE # AUTORIZACION # APPROVAL	
CUSTOMER APPROVAL DATE:	
NAME:	TITLE:
COMPANY NAME:	
APPROVAL # FREIGABE # DEBLOCAGE # AUTORIZACION # APPROVAL	

THIS DRAWING MAY NOT BE COPIED OR REPRODUCED IN ANY WAY, AND MAY NOT BE PASSED ON TO A THIRD PARTY WITHOUT WRITTEN PERMISSION.
 OWNERSHIP AND COPYRIGHT OF CONEC GmbH
 DO NOT ALTER CAD DRAWING BY HAND

tolerance		 dim. in mm	scale: 2:1
			material: SEE NOTES
	2006	date	name
	drawn	08.02.	Lehmenkühler
	appd.	09.02.	Mickenbecker
	norm		
	d-old		
a	Origin		
rev.	description		
date	name		

title:	
D-SUB COMBINATION FEMALE 2W2CS without contacts	
dwg no:	AutoCAD 2004
13K1A1714	
part no: 302W2CSXX99A30X	
DIN-A	4
sh:	1/1