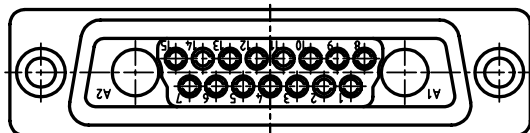
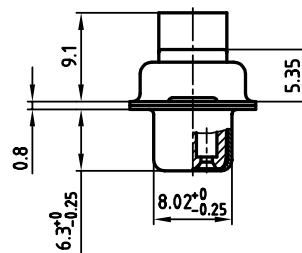
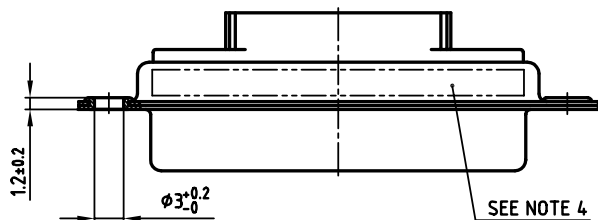
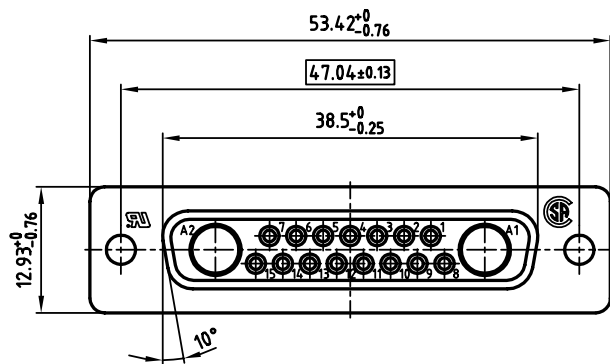


used for: D-SUB COMBINATION CRIMP



**NOTES:**

1. METALSHELLS: STEEL; min. 320µ" TIN
2. INSULATORS: PBT GF UL 94 V-0, BLACK
3.   = CRITICAL DIMENSION: SPC
4. CONNECTOR IS PART MARKED: PART NO.: CONEC Y/WW

THIS DRAWING MAY NOT BE COPIED OR REPRODUCED IN ANY WAY, AND MAY NOT BE PASSED ON TO A THIRD PARTY, WITHOUT WRITTEN PERMISSION. OWNERSHIP AND COPYRIGHT OF CONEC GmbH. DO NOT ALTER CAD DRAWING BY HAND

rev.	description	date	name

tolerance			scale: 2:1
material:			SEE NOTES
2002	date	name	title: <b>D-SUB COMBINATION FEMALE</b> 17W2S CRIMP STYLE
drawn	07.08.	Schmidt	
appd.	07.08.	Mickenbecker	
norm			
d-old			
			dwg no: AutoCAD 2000
			DIN-A 3
part no: 3017W2SXXK99A10X			sh: 1/1

title: <b>D-SUB COMBINATION FEMALE</b> 17W2S CRIMP STYLE	
dwg no: AutoCAD 2000	DIN-A 3
part no: 3017W2SXXK99A10X	