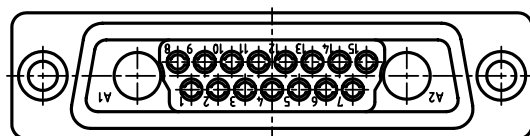
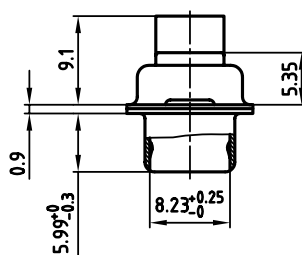
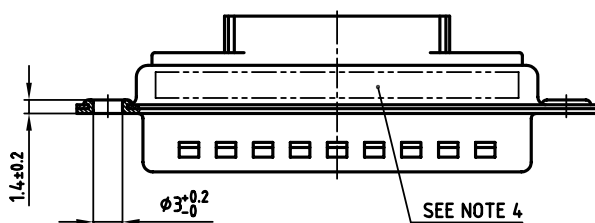
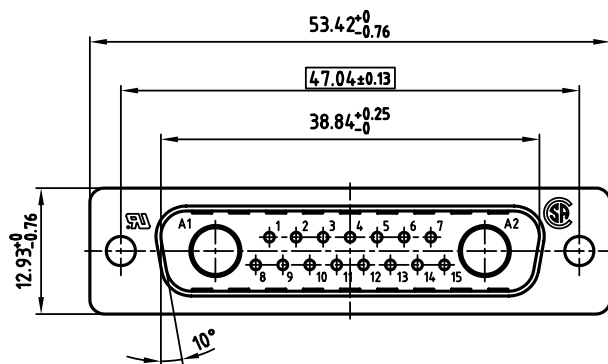


used for: D-SUB COMBINATION CRIMP



NOTES:

1. METALSHELLS: STEEL; TIN PLATED
2. INSULATORS: PBT GF UL 94 V-0; BLACK
3. [] = CRITICAL DIMENSION; SPC
4. CONNECTOR IS PART MARKED: PART NO: CONEC Y/WW

Directive 2002/95/EC
"RoHS"
Compliant

THIS DRAWING MAY NOT BE COPIED OR REPRODUCED IN ANY WAY, AND MAY NOT BE PASSED ON TO A THIRD PARTY, WITHOUT WRITTEN PERMISSION. OWNERSHIP AND COPYRIGHT OF CONEC GmbH DO NOT ALTER CAD DRAWING BY HAND

rev.	description	date	name

tolerance		scale:	2:1
material:	SEE NOTES	material:	SEE NOTES
1999	date	name	title:
drawn	06.05.	Barcinski	D-SUB COMBINATION MALE CRIMP STYLE 17W2P
appd.	06.05.	Mickenbecker	
norm	DIN 41652		
d-old			
		dwg no:	AutoCAD/REL.14 DIN-A
			3
			sh: 1/1
		part no:	3017W2PXK99A10X
