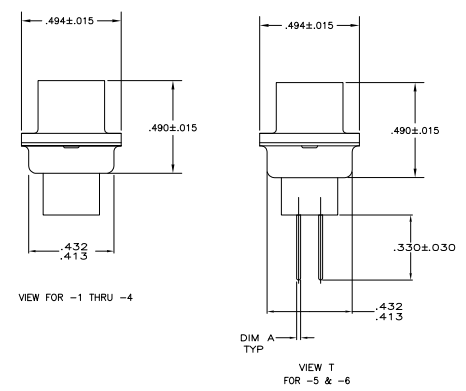
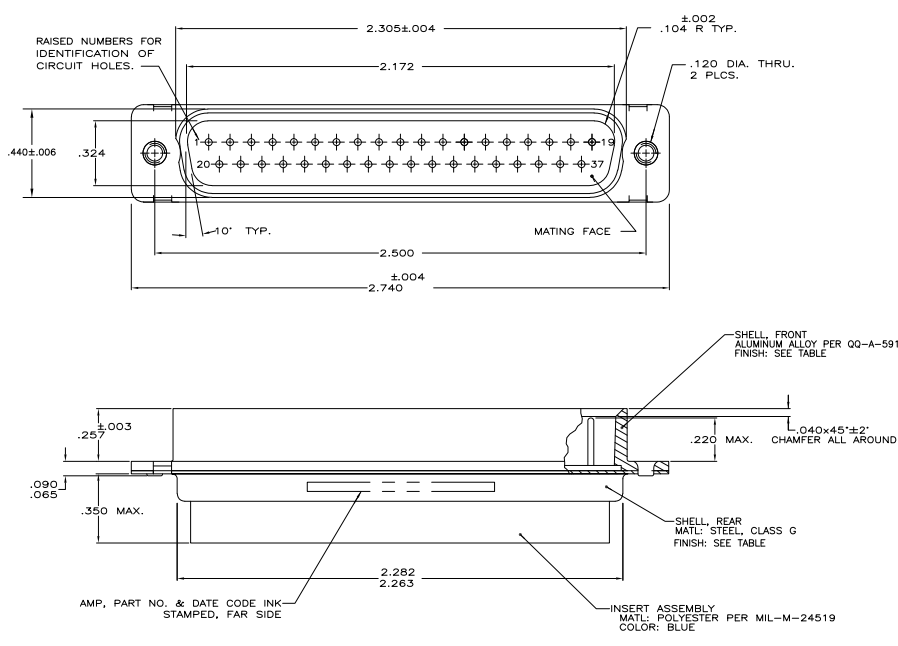


REV	DATE	DESCRIPTION	BY	CHK	APP
DF	DO				
M	REV PER ECO 05-16-60				DM



1. THIS PLUG WILL MATE WITH ANY 37 POSN., SIZE 4 RECEPTACLE IN AMPLIMITE SERIES.
 2. MAXIMUM WIRE INSULATION TO BE USED WITH THIS PLUG IS .068 DIA.
 3. SST RETENTION CLIPS ARE INCLUDED IN INSERTS.
 4. THIS PLUG IS DESIGNED TO CONFORM TO THE LATEST ISSUE OF MIL-C-24308.
 5. THE -1, -3 & 5--1 CONNECTORS ARE SUPPLIED WITHOUT CONTACTS. THE -2 AND -4 CONNECTORS ARE SUPPLIED WITH CONTACTS THAT ARE KIT PACKAGED. -5 AND -6 CONNECTORS ARE SUPPLIED WITH CONTACTS THAT ARE LOADED IN CONNECTOR.
 6. THIS PLUG WILL ACCEPT SIZE 20 DM PIN CONTACT M39029/64-369 OR ANY AMP SIZE 20 DM PIN CONTACT.
- △ FINISH: CADMIUM PER QQ-P-416, YELLOW CHROME.
 △ FINISH: TIN PLATED PER MIL-T-10727 OVER COPPER PER MIL-C-14550.
 △ FINISH: ZINC PLATED PER ASTM-B-633 .000200 MIN THK WITH SUPPLEMENTARY CHROME (Cr-3+).

PRELIMINARY NOT RELEASED FOR PRODUCTION	.030 REF	△	AS SHOWN	5-445008-1
PRELIMINARY NOT RELEASED FOR PRODUCTION	.018 REF	△	AS SHOWN IN VIEW T	445008-6
PRELIMINARY NOT RELEASED FOR PRODUCTION		△	AS SHOWN IN VIEW T	445008-5
PRELIMINARY NOT RELEASED FOR PRODUCTION		△	KIT WITH CONTACTS	445008-4
		△	AS SHOWN	445008-3
		△	KIT WITH CONTACTS	445008-2
		△	AS SHOWN	445008-1

DIM A	SHELL FINISH	DESCRIPTION	PART NUMBER

THIS DRAWING IS A CONTROLLED DOCUMENT. DATE: 10-17-83. BY: [Signature]. CHECKED: [Signature].

DRAWING NO: 100779
 REV: 1
 DATE: 10-17-83
 BY: [Signature]
 CHECKED: [Signature]

THIS DRAWING IS A CONTROLLED DOCUMENT. DATE: 10-17-83. BY: [Signature]. CHECKED: [Signature].
 DRAWING NO: 100779
 REV: 1
 DATE: 10-17-83
 BY: [Signature]
 CHECKED: [Signature]