

4

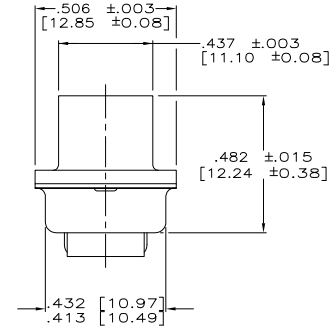
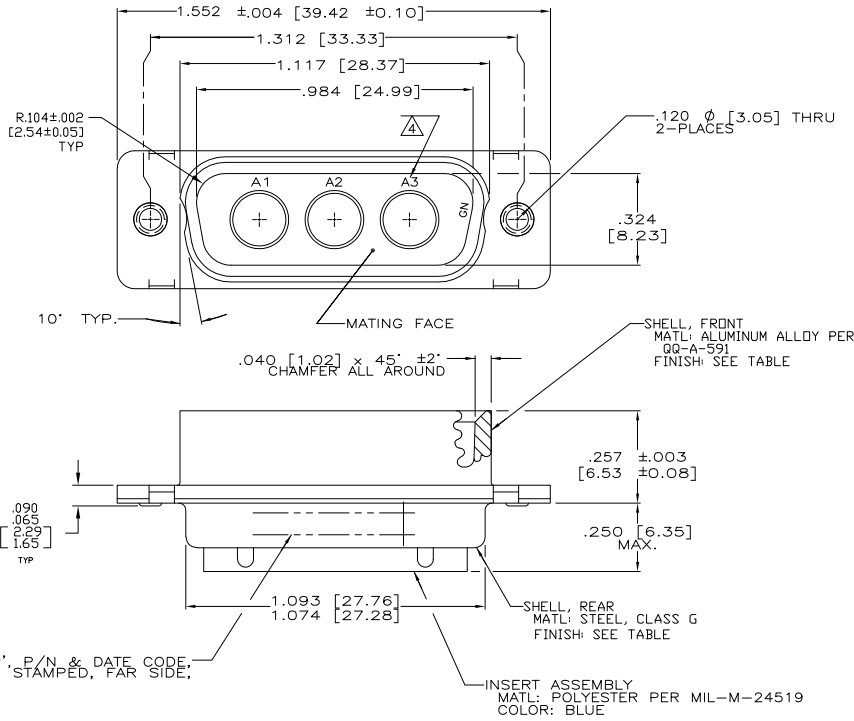
3

2

1

THIS DRAWING IS UNPUBLISHED. RELEASED FOR PUBLICATION  
 © COPYRIGHT BY TYCO ELECTRONICS CORPORATION. ALL RIGHTS RESERVED.

LOC	DIST	REVISIONS			DATE	MIN	APD
DF	D5	P	LTR	DESCRIPTION			
		A		REV PER EDD 05-13647	4-6-06	CT	DM



'AMP', P/N & DATE CODE  
 INK STAMPED, FAR SIDE.

- THIS PLUG WILL MATE WITH ANY 3C3, SIZE 2 RECEPTACLE IN AMPLIMITE SERIES.
  - THIS PLUG IS DESIGNED TO CONFORM TO THE LATEST ISSUE OF MIL-C-24308.
  - CONTACTS NOT SUPPLIED WITH ASSEMBLY. CONTACTS TO BE PURCHASED SEPARATELY.
- △ RAISED NUMBERS FOR IDENTIFICATION OF CIRCUIT HOLES.
  - △ FINISH: CADMIUM PER QQ-P-416; YELLOW CHROMATE.
  - △ FINISH: ZINC PLATED PER ASTM-B-633 .000200 MIN THK WITH SUPPLEMENTARY CHROMATE (C<sub>3</sub>+).

△	5-447717-1
△	447717-1
FINISH	PART NO.

THIS DRAWING IS A CONTROLLED DOCUMENT.		DR: C. THOMAS 4-6-06	Tyco Electronics Corporation	
DIMENSIONS: INCHES		OK: D. MILLER 4-7-06	Harrisburg, PA 17105-3608	
MATERIAL: SEE CALLOUTS		APD: D. MILLER 4-7-06	AMP	
FINISH: -		NAME: -	PLUG ASSY, AMPLIMITE, 3C3, SIZE 2, SERIES 109, COAX MIX	
APPLICATION SPEC: -		SIZE: A2	CHG CODE: C=	DRAWING NO: 447717
HEIGHT: -		CUSTOMER DRAWING		RESTRICTED TO: -
SCALE: 4:1		SHEET: 1 of 1		REV: A

AMP 1471-9 REV 31MM2000

10APR2006 12:38pm us016412 H:\docmod\447717\_1\_c.dwg