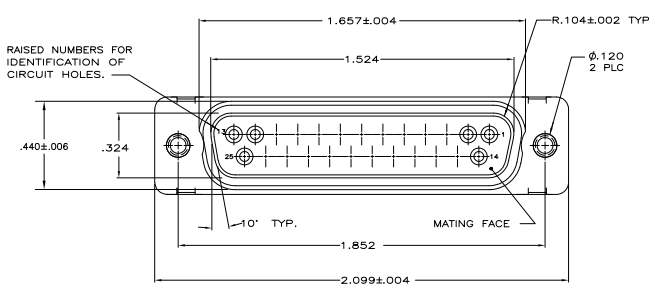
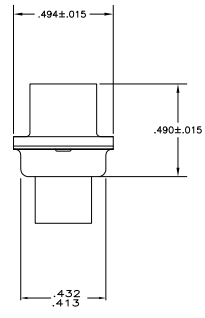
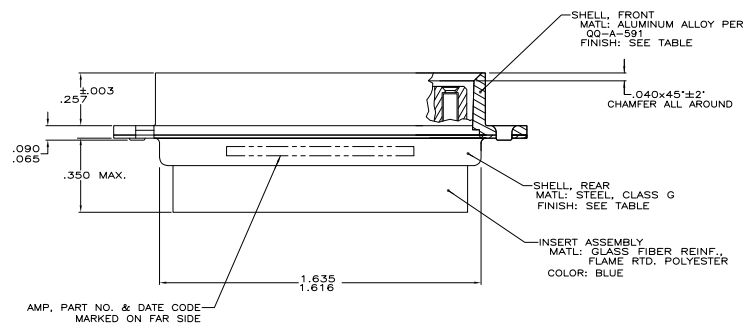


THIS DRAWING IS UNPUBLISHED  
 © 2009 AMP, INC. ALL RIGHTS RESERVED

REV	DATE	DESCRIPTION	BY	CHK	APP
DF	DO				
B		REV PER ECO 05-014885			



1. MAXIMUM WIRE INSULATION TO BE USED WITH THIS PLUG IS .068 DIA.
  2. SST RETENTION CLIPS ARE INCLUDED IN INSERTS.
  3. THIS PLUG WILL ACCEPT SIZE 20 SOCKET CONTACT M39029/63-368 OR AMP PART NUMBER 200590-1.
- $\triangle$  FINISH CADMIUM PER QQ-P-416; YELLOW CHROMATE.  
 $\triangle$  FINISH ZINC PLATED PER ASTM-B-633 .000200 MIN THK WITH SUPPLEMENTARY CHROMATE (Cr3+).



$\triangle$	5-1484950-1
$\triangle$	1484950-1
	FINISH PART NO.

THIS DRAWING IS A CONTROLLED DOCUMENT.		DESIGNED BY: J. THOMAS	DATE: 8-28-92	Checked by: [Signature]	DATE: 8-28-92
DRAWN BY: [Signature]		DESIGNED BY: J. THOMAS	DATE: 8-28-92	Checked by: [Signature]	DATE: 8-28-92
CHECKED BY: [Signature]		DESIGNED BY: J. THOMAS	DATE: 8-28-92	Checked by: [Signature]	DATE: 8-28-92
APPROVED BY: [Signature]		DESIGNED BY: J. THOMAS	DATE: 8-28-92	Checked by: [Signature]	DATE: 8-28-92
SEE CALLOUTS		DESIGNED BY: J. THOMAS	DATE: 8-28-92	Checked by: [Signature]	DATE: 8-28-92
CUSTOMER DRAWING		DESIGNED BY: J. THOMAS	DATE: 8-28-92	Checked by: [Signature]	DATE: 8-28-92

10484950\_01.dwg 9/22/01 1484950-1.dwg