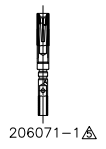
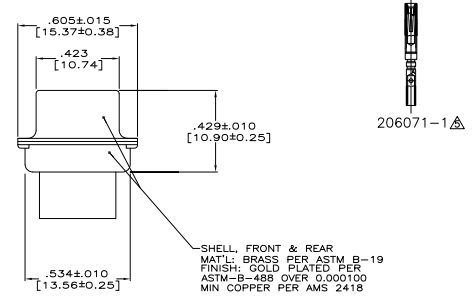
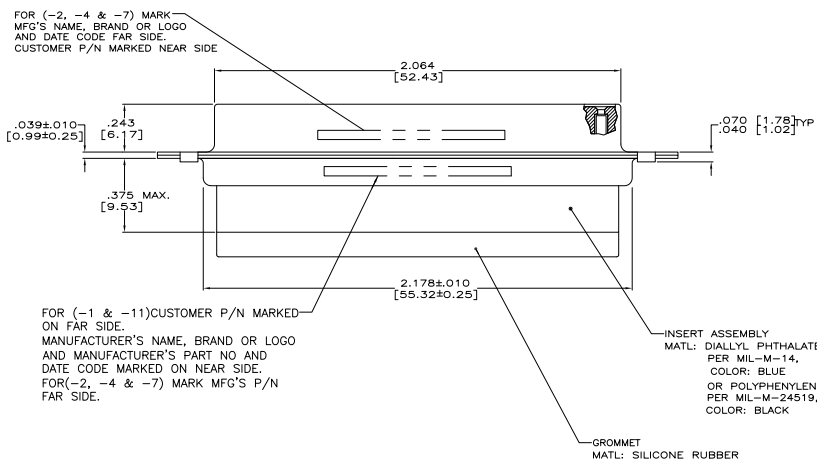


- CONNECTOR SUPPLIED WITHOUT CONTACTS; SHOWN FOR ILLUSTRATION ONLY.
- BE-CU RETENTION CLIPS ARE INCLUDED IN INSERT AND INSTALLED WITH TINES POINTING TOWARDS MATING FACE.
- OVERALL DIMENSIONS DO NOT INCLUDE RAISED CAVITY IDENTIFICATION.
- MARKING FAR SIDE REFERS TO WIDE SIDE OF KEYSTONE. NEAR SIDE REFERS TO NARROW SIDE OF KEYSTONE.
- CONTACTS SUPPLIED WITH 211671-7 ONLY.
- 100% INSPECTION REQUIRED PER BOEING 1801:
  - A. VISUAL
  - B. DWV
  - C. IR
- CUSTOMER REQUIRES SINGLE LOT DATE CODE.
- SPECIAL REQUIREMENTS:
  - A. TEST TWO CONNECTORS PER LOT FOR COMPLIANCE TO GROMMET PEEL STRENGTH REQUIREMENTS.
  - B. TEST ALL CIRCUIT CAVITIES FOR MISALIGNMENT OR EXCESSIVE ADHESIVE.



.120 [3.05]	1B01-029RHW	211671-1	1-211671-1
.120 [3.05]	B010648-0010	211671-7	211671-7
NOT RELEASED	-	211671-6	211671-6
NOT RELEASED	-	211671-5	211671-5
.120 [3.05]	-	211671-4	211671-4
NOT RELEASED	-	211671-3	211671-3
.120 [3.05]	2A085-023V-001	211671-2	211671-2
.120 [3.05]	1B01-029	211671-1	211671-1

DIA A	CUSTOMER P/N ON CONNECTOR	MFG'S P/N ON CONNECTOR	MFG'S P/N

THIS DRAWING IS A CONTROLLED DOCUMENT. **IN A BINDER**

YTSO Electronics Corporation  
 Harrisburg, PA 17105-2608

RCPT. ASSY, AMPUMITE, 78 POSN,  
 SIZE 5, SERIES 90, NON MAGNETIC  
 WITH GROMMET

REV: 00779 (G)=211671

CUSTOMER DRAWING