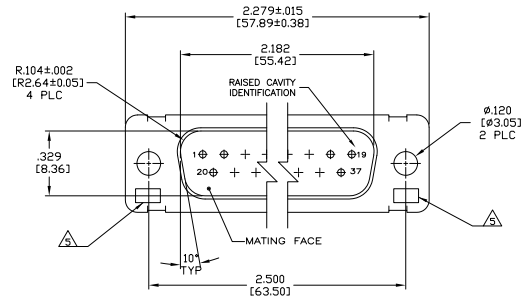
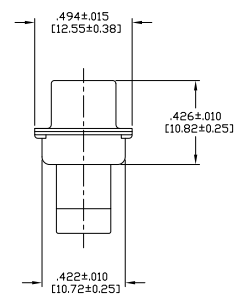
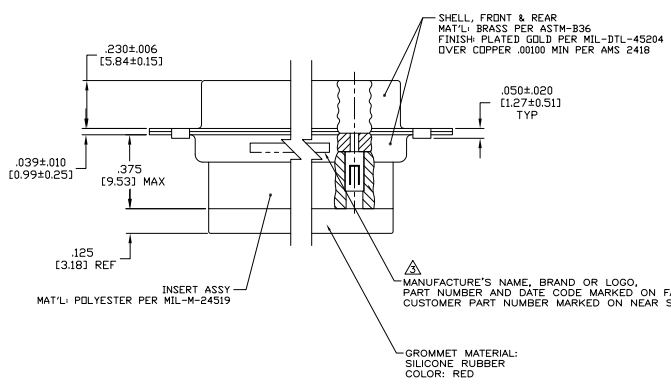


REV	DATE	DESCRIPTION	BY	CHK	APP
1					
2					
3					
4					
5					
6					
7					
8					



1. THIS CONNECTOR ASSEMBLY IS SUPPLIED WITH Be Cu CONTACT RETENTION CLIPS INSTALLED IN THE INSERT ASSEMBLY.
 2. THIS CONNECTOR ASSEMBLY MATES WITH ANY PLUG CONNECTOR WITH THE SAME INSERT ARRANGEMENT AND DIMENSIONAL REQUIREMENTS PER MIL-C-24308.
 3. MARKED WITH .047 (1.19)±.062 (1.57) HIGH CHARACTERS. FAR SIDE REFERS TO THE WIDE SIDE OF THE KEYSTONE. NEAR SIDE REFERS TO THE NARROW SIDE OF THE KEYSTONE.
 4. MAXIMUM WIRE INSULATION TO BE USED WITH THIS CONNECTOR ASSEMBLY IS .054 (1.37) DIAMETER.
- ▲ UL/CSA DESIGNATION MARKED IN THIS AREA.
 ▲ SPECIAL REQUIREMENTS PER BOEING 1A01 DOCUMENT.
 ▲ BUILT TO ORDER, NO INVENTORY OF THIS PART NUMBER IS TO BE KEPT. SINGLE LOT DATE CODE REQUIRED.



▲	1A01-029PHW	1-211641-1
▲	---	211641-4
▲	1A01-029PHA	211641-1
REMARKS	CUSTOMER MARKING	PART NUMBER

THIS DRAWING IS A CONTROLLED DOCUMENT. DATE 03-09-09 BY 60322 UCBAW/SJS
 INCHES (mm)
 DIMENSIONS LISTED:
 A DEC ± .0005
 B DEC ± .0005
 C DEC ± .0005
 D DEC ± .0005
 E DEC ± .0005
 F DEC ± .0005
 G DEC ± .0005
 H DEC ± .0005
 I DEC ± .0005
 J DEC ± .0005
 K DEC ± .0005
 L DEC ± .0005
 M DEC ± .0005
 N DEC ± .0005
 O DEC ± .0005
 P DEC ± .0005
 Q DEC ± .0005
 R DEC ± .0005
 S DEC ± .0005
 T DEC ± .0005
 U DEC ± .0005
 V DEC ± .0005
 W DEC ± .0005
 X DEC ± .0005
 Y DEC ± .0005
 Z DEC ± .0005
 SEE CALLOUTS
 SEE CALLOUTS
 CUSTOMER DRAWING
 DATE 03-09-09 BY 60322 UCBAW/SJS
 PLUG ASSY, AMP/UMTE.37 POSN. SIZE 4, SERIES 109 WITH GROMMET, NON-MAGNETIC
 SIZE 100779 Q=211641
 SHEET 4.1 OF 1