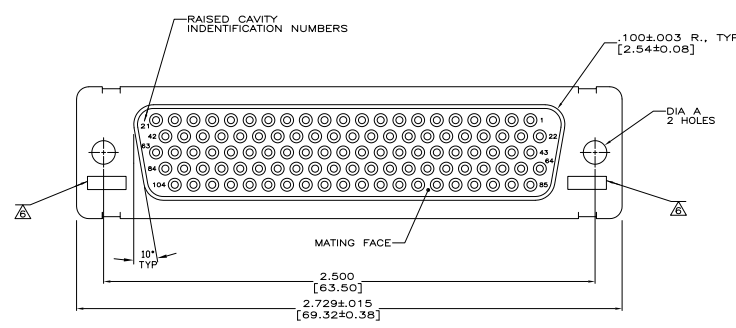
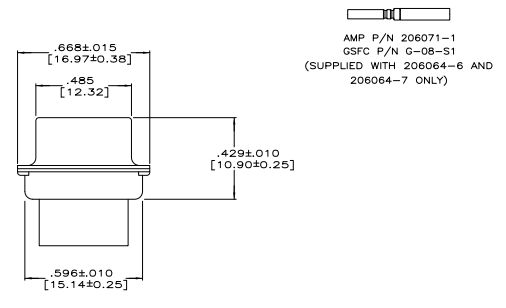
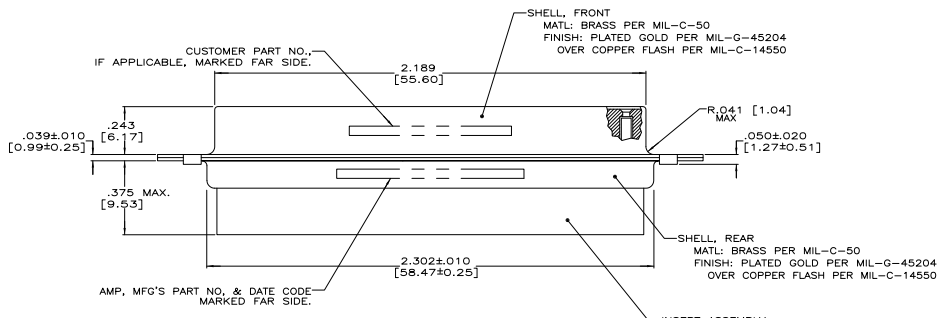


REV	DATE	DESCRIPTION	BY	CHKD
1				
2				
3				
4				
5				



- THIS RECEPTACLE WILL MATE WITH ANY PLUG CONNECTOR WITH THE SAME INSERT ARRANGEMENT AS DEFINED BY MS14004-1.
 - MAXIMUM WIRE INSULATION USED WITH THIS RCPT. IS .054 (1.37) DIA.
 - Be-Cu RETENTION CLIPS ARE INCLUDED IN INSERTS.
- ▲ INSPECTION REQUIREMENTS PER R4383.
 ▲ CONNECTOR SUPPLIED WITH 115 CONTACTS, AMP PART NUMBER 206071-1. INSPECTION REQUIREMENTS PER R4383 WITHOUT TESTS FOR HIGH ALTITUDE DIELECTRIC WITHSTANDING VOLTAGE AS CALLED FOR IN TABLE II SCREENING AND TESTING.
 ▲ UL/CSA DESIGNATION STAMPED IN THIS AREA, OPTIONAL.
 ▲ SPECIAL TESTING PER GE DOCUMENT 20025720. CONNECTOR SUPPLIED WITH 114 CONTACTS, AMP P/N 206071-1.
 ▲ RESTRICTED TO CAE ELECTRONICS ONLY.
 ▲ THESE CONNECTORS ARE QUALIFIED TO GODDARD SPACE FLIGHT CENTER SPECIFICATION S-311-P-4.



REMARKS	DIA A	CUSTOMER P/N ON CONNECTOR	AMP P/N ON CONNECTOR	PART NO.
	.120 [3.05]	570566-6	206065-9	206065-9
▲	.120 [3.05]	311P407-6S-B-12	206065-4	206065-8
▲	.120 [3.05]	20025720P1104S	206065-7	206065-7
▲	.120 [3.05]	R4383P104S	206065-6	206065-6
▲	.120 [3.05]	R4383P104S-2	206065-5	206065-5
▲	.120 [3.05]	311P407-6S-B-12	206065-4	206065-4
---	.154 [3.91]	---	206065-3	206065-3
▲	.154 [3.91]	311P407-6S-B-15	206065-2	206065-2
---	.120 [3.05]	R9259P104S	206065-1	206065-1

THIS DRAWING IS A CONTROLLED DOCUMENT. DATE 11-10-88 BY J. A. MOULDER. DATE 11-10-88 BY J. A. MOULDER. DATE 11-10-88 BY J. A. MOULDER.

DIMENSIONS: INCHES
 UNLESS OTHERWISE SPECIFIED
 DECIMALS: .0005
 FRACTIONS: 1/1000
 TOLERANCES: .0005
 SURFACE FINISH: SEE CALLOUTS
 MATERIALS: SEE CALLOUTS
 FINISHES: SEE CALLOUTS

THIS DRAWING IS A CONTROLLED DOCUMENT. DATE 11-10-88 BY J. A. MOULDER. DATE 11-10-88 BY J. A. MOULDER. DATE 11-10-88 BY J. A. MOULDER.

TITLE: AMPULITE NONMAGNETIC RECEPTACLE ASSEMBLY, SERIES 90, SHELL SIZE 6, 104 POSITION
 SIZE: 11x17
 SHEET NO: 1 OF 1
 DATE: 11-10-88
 DRAWN BY: J. A. MOULDER
 CHECKED BY: J. A. MOULDER
 APPROVED BY: J. A. MOULDER