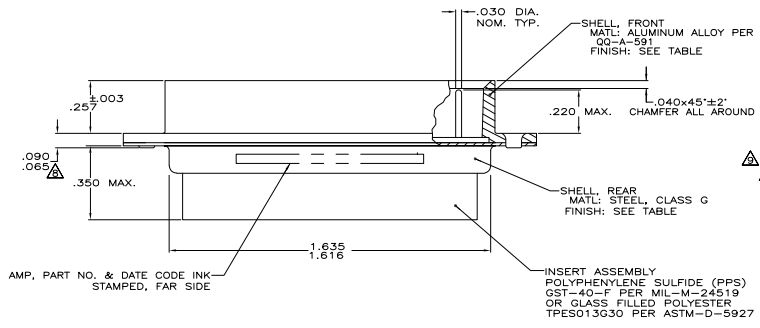
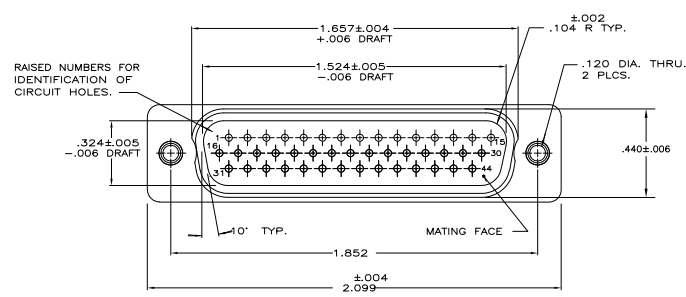


THIS DRAWING IS UNCLASSIFIED  
 UNLESS INDICATED OTHERWISE  
 © 2008 BY TYS ELECTRONICS CORPORATION. ALL RIGHTS RESERVED.

REV	DATE	DESCRIPTION	BY	APP
1				
2				
3				
4				
5				
6				
7				
8				



1. THIS PLUG WILL MATE WITH ANY 44 POSN. SIZE 3 RECEPTACLE IN AMPLIMITE SERIES.
  2. MAXIMUM WIRE INSULATION TO BE USED WITH THIS PLUG IS .054 DIA.
  3. SST RETENTION CLIPS ARE INCLUDED IN INSERTS.
  4. THIS PLUG IS DESIGNED TO CONFORM TO THE LATEST ISSUE OF MIL-C-24308.
  5. CONNECTOR SUPPLIED WITHOUT CONTACTS SHOWN FOR ILLUSTRATION ONLY.
  6. THIS PLUG WILL ACCEPT SIZE 22 DF PIN CONTACT M39029/58-22-22D OR ANY AMP SIZE 22 DF PIN CONTACT.
- ▲ MIL-PRC-13930 DESIGNATION STAMPED IN THIS AREA.  
 ▲ 100% INSPECTION REQUIRED.  
 ▲ THIS FEATURE TO BE MEASURED WHILE COMPRESSED.  
 ▲ FINISH: CADMIUM PER QQ-P-416 YELLOW CHROME.  
 ▲ FINISH: ZINC PLATED PER ASTM-B-633 .000200 MIN THK WITH SUPPLEMENTARY CHROME (C-3+).

REVISIONS	DATE	DESCRIPTION	BY	APP
1				
2				
3				
4				
5				
6				
7				
8				

THIS DRAWING IS A CONTROLLED DOCUMENT. DATE: 10-17-83  
 BY: J. BALLEW  
 CHECKED: J. BALLEW  
 DATE: 10-17-83  
 DRAWN: J. BALLEW  
 DATE: 10-17-83  
 TITLE: PLUG ASSY, AMPLIMITE, 44 POSN., SIZE 3, SERIES 90, BLINDMATE.  
 SIZE: A1  
 DRAWING NO: 00779  
 CUSTOMER DRAWING: G=445011  
 SHEET: 1 OF 1  
 REV: R