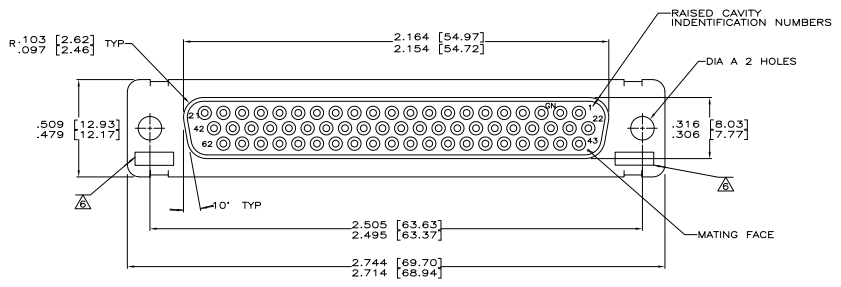
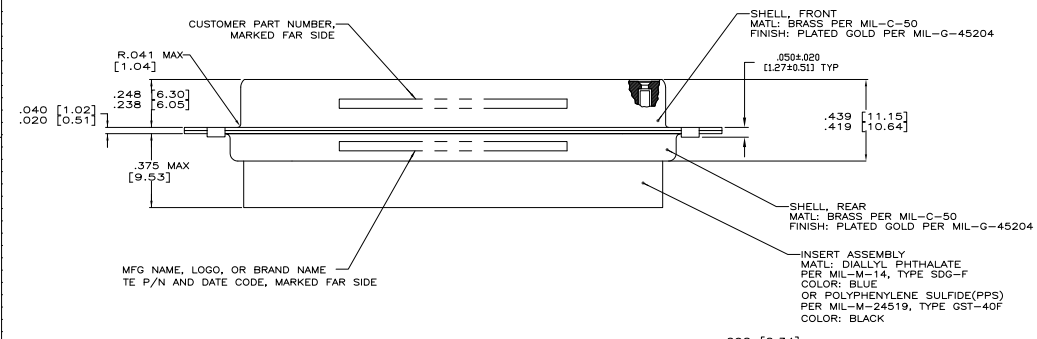


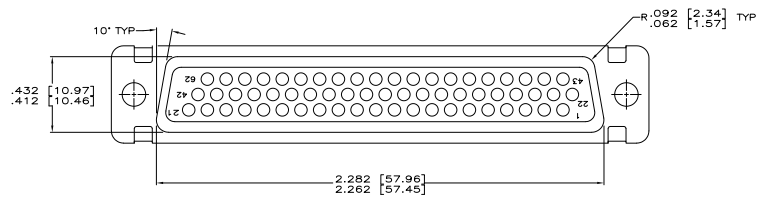
REV	DATE	DESCRIPTION	BY	CHK
DF	DO			
Z		REV PER ECD 08-018652	27/02/08	PY RL



1. THIS RECEPTACLE WILL MATE WITH ANY PLUG CONNECTOR WITH SAME INSERT ARRANGEMENT AS DEFINED BY MS18276-2.
 2. MAXIMUM WIRE INSULATION USED WITH THIS RCPT. IS .054 DIA.
 3. Be-Cu RETENTION CLIPS ARE INCLUDED IN INSERTS.
- ⚠ INSPECTION REQUIREMENTS PER R4383.
 - ⚠ CONNECTOR SUPPLIED WITH 69 CONTACTS, AMP PART NUMBER 206071-1. INSPECTION REQUIREMENTS PER R4383 WITHOUT TESTS FOR HIGH ALTITUDE DIELECTRIC WITHSTANDING VOLTAGE AS CALLED FOR IN TABLE II SCREENING AND TESTING.
 - ⚠ UL/CSA DESIGNATION STAMPED IN THIS AREA,OPTIONAL.
 - ⚠ SPECIAL TESTING PER GE DOCUMENT 20025720. CONNECTOR SUPPLIED WITH 72 CONTACTS, AMP P/N 206071-1.
 - ⚠ RESTRICTED TO CAE ELECTRONICS ONLY.
 - ⚠ THESE CONNECTORS ARE QUALIFIED TO GODDARD SPACE FLIGHT CENTER SPECIFICATION S-311-P-4.



AMP P/N 206071-1
 GSFC P/N G-08-51
 (SUPPLIED WITH 206064-6 AND 206064-8 ONLY)



SUPERSEDED BY 1996014-4

REV	DATE	DESCRIPTION	BY	CHK
---	.120	8333648P1	1-206503-2	1-206503-2
---	.120	570566-4	1-206503-1	1-206503-1
⚠	.120	311P407-4S-B-12	206503-4	206503-9
⚠	.120	20025720P1062S	206503-8	206503-8
---	.154	SC81D139-044	206503-7	206503-7
⚠	.120	R4383P62S	206503-6	206503-6
⚠	.120	R4383P62S-2	206503-5	206503-5
⚠	.120	311P407-4S-B-12	206503-4	206503-4
---	.154	N/A	206503-3	206503-3
---	.120	R9259P62S	206503-2	206503-2
⚠	.154	311P407-4S-B-15	206503-1	206503-1

REMARKS	DIA A	CUSTOMER P/N	CUSTOMER P/N	TE P/N	PART NUMBER

THIS DRAWING IS A CONTROLLED DOCUMENT. DATE: 12-31-92
 DRAWING NO: 100779
 REVISION: A
 TITLE: AMP PLITE RCPT ASSY-NON-MAGNETIC, SHELL SIZE 4.62 POSITION
 PART NUMBER: 206503
 CUSTOMER DRAWING