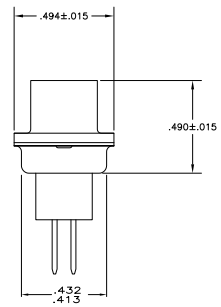
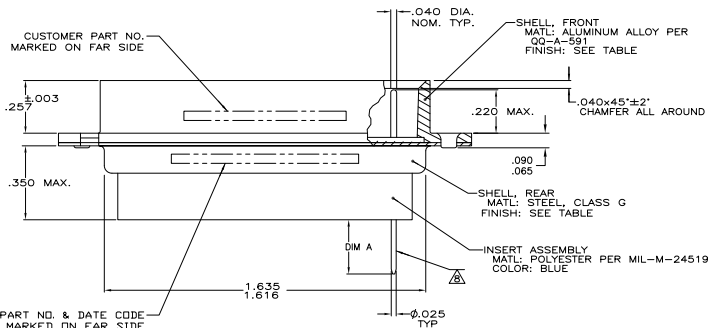
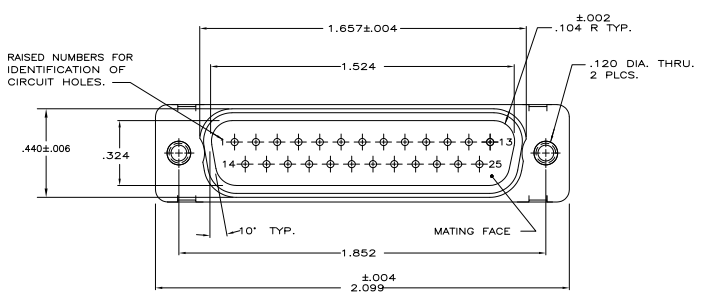


THIS DRAWING IS UNPUBLISHED. REPRODUCED FOR YOUR INFORMATION. ALL RIGHTS RESERVED.

REV	DATE	DESCRIPTION	BY	CHK	APP
R	REV PER ECU 10-022949				RL



1. THIS PLUG WILL MATE WITH ANY 25 POSN, SIZE 3 RECEPTACLE IN AMPLIMITE SERIES.
 2. MAXIMUM WIRE INSULATION TO BE USED WITH THIS PLUG IS .068 DIA.
 3. SST RETENTION CLIPS ARE INCLUDED IN INSERTS.
 4. THIS PLUG IS DESIGNED TO CONFORM TO THE LATEST ISSUE OF MIL-C-24308.
 5. 445007-1 & 5--1 SUPPLIED WITHOUT CONTACTS.
 6. 445007-1 WILL ACCEPT SIZE 20 DM PIN CONTACT M39029/64-369 OR ANY AMP SIZE 20 DF PIN CONTACT.
- ~~ULCSA DESIGNATION STAMPED IN THIS AREA~~
- ▲ POSTED CONTACTS LDRD IN HDUSING OF 445007-2
 - ▲ 25 EACH DF CONTACT #205089-1 INCLUDED WITH ASSEMBLY; PACKAGED SEPARATELY.
 - ▲ FINISH: CADMIUM PER QQ-P-416; YELLOW CHROMATE.
 - ▲ FINISH: ZINC PLATED PER ASTM-B-633 .000200 MIN THK WITH SUPPLEMENTARY CHROMATE (C-3+).

REV	DESCRIPTION	PART NO
—	AS SHOWN EXCEPT ▲	5-445007-1
—	AS SHOWN EXCEPT ▲	445007-3
▲	AS SHOWN	445007-2
▲	AS SHOWN EXCEPT ▲	445007-1

THIS DRAWING IS A CONTROLLED DOCUMENT.		REV	DATE	BY	CHK	APP
DESIGNING	ENGINEER	10-17-88	10-17-88	J. BALLER		
WORKS	INSPECTOR	10-17-88	10-17-88	J. BALLER		
APPROVED	MANAGER					
SEE CALLOUT	SEE CALLOUT					

Yeo Electronics Corporation
 Harrisburg, PA 17105-3608

PLUG ASSEMBLY, AMPLIMITE,
 25 POSN, SIZE 3, SERIES 109,
 BLINDMATE

SIZE: A1 DATE: 100779 DRAWING NO: 445007
 SHEET: 4.1 OF 1

21DEC2010 14016412 H:\home\445007-1-c.dwg