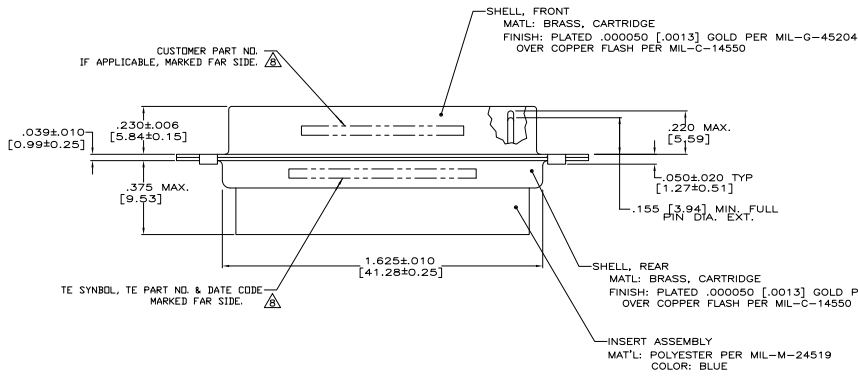
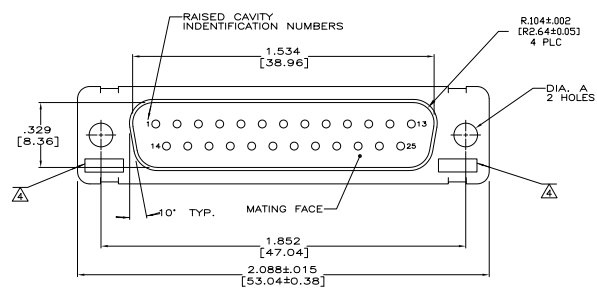


- THIS PLUG WILL MATE WITH ANY RECEPTACLE CONNECTOR WITH SAME INSERT ARRANGEMENT AS DEFINED BY MS18275-1.
- MAXIMUM WIRE INSULATION USED WITH THIS PLUG IS .072 (1.83) DIA. MAX.
- Be-Cu RETENTION CLIPS ARE INCLUDED IN INSERTS.
- UL/CSA DESIGNATION STAMPED IN THIS AREA, OPTIONAL.
- RESTRICTED TO CAE ELECTRONICS ONLY.
- THESE CONNECTORS ARE QUALIFIED TO GODDARD SPACE FLIGHT CENTER SPECIFICATION S-311-P-4.
- CONTACT NDT INCLUDED - SHOWN FOR DIMENSIONAL REFERENCE ONLY.
- FAR SIDE REFERS TO WIDE SIDE OF KEYSTONE.



SUPERSEDED BY	REV	DATE	PART NO.	REV	DATE	PART NO.	REV	DATE	PART NO.
1996076-3	1	120	3,05	8333648P4	1	206800-8	1	206800-8	
		120	3,05	570513-B	1	206800-7	1	206800-7	
		120	3,05	311P409-3P-B-12	1	206800-2	1	206800-6	
		120	3,05	---	1	206800-5	1	206800-5	
		120	3,05	2A014-003V-001	1	206800-4	1	206800-4	
		154	3,91	---	1	206800-3	1	206800-3	
		120	3,05	311P409-3P-B-12	1	206800-2	1	206800-2	
		154	3,91	311P409-3P-B-15	1	206800-1	1	206800-1	

REMARKS	DIA A	CUSTOMER P/N ON CONNECTOR	TE P/N ON CONNECTOR	AMP P/N

THIS DRAWING IS A CONTROLLED DOCUMENT. M. CLOUSER 13-88

DESIGNED BY: M. CLOUSER 12-87  
 CHECKED BY: J. C. HANCOCK 12-87  
 DRAWN BY: J. C. HANCOCK 12-87  
 DATE: 12-87

AMPLIMITE NONMAGNETIC PLUG ASSEMBLY WITHOUT SIZE 20 PIN CONTACTS, SERIES 109, SHELL SIZE 3, 25 POSITION

SIZE: 3.05 INCHES  
 SHELL SIZE: 3, 25 POSITION

DATE: 12-87  
 DRAWING NO: A1 00779  
 REV: 1  
 SHEET: 1 OF 1