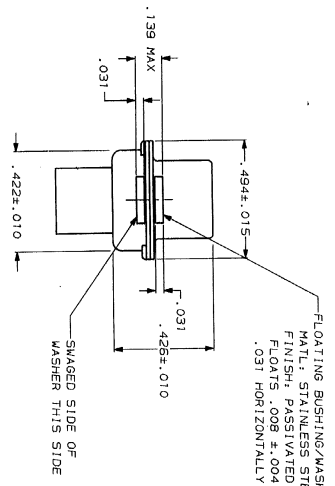
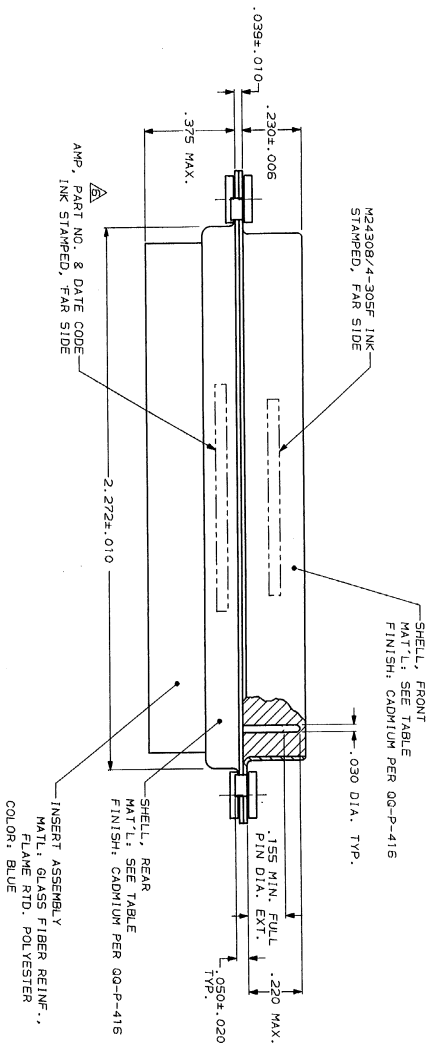
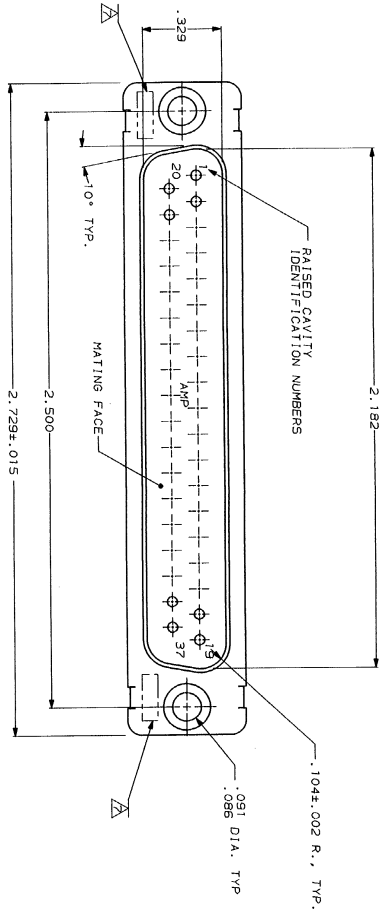


DRAWING MADE IN THIS OFFICE PRODUCTION
 THIS DRAWING IS UNLESS INDICATED
 © COMPANY 19
 BY AMP INCORPORATED, ALL INFORMATION RIGHTS RESERVED.

| REV | DATE | DESCRIPTION |
|-----|---------|-------------------------------------|
| 1 | 12-9-78 | REV & REFORM, ENR DF-0021 & 12-9-78 |
| 2 | 1-15-79 | REV-0150 |
| 3 | 1-15-79 | REV-ENR DF-1034 |



1. THIS PLUG IS DESIGNED TO CONFORM TO THE LATEST ISSUE OF MIL-C-24308
2. MAX WIRE INSUL. TO BE USED WITH THIS PLUG IS .068 DIA.
3. STAINLESS STEEL RETENTION CLIPS ARE INCLUDED IN INSERTS
4. PACKAGE STAMPED M 24308/4-327F
5. THIS PLUG WILL ACCEPT SIZE 20 PIN CONTACT M24308/11 OR AMP # 205089

AMP PART NO. STAMPED ON CONNECTOR REPRESENTS KIT NUMBER WITH CONTACTS
 UL/CSA DESIGNATION STAMPED IN THIS AREA.

| REV | DATE | DESCRIPTION |
|-----|---------|-------------------------------------|
| 1 | 12-9-78 | REV & REFORM, ENR DF-0021 & 12-9-78 |
| 2 | 1-15-79 | REV-0150 |
| 3 | 1-15-79 | REV-ENR DF-1034 |

| | | |
|----------|------------|-----------|
| OBSELETE | BRASS | 20541-4-2 |
| | STEEL PER | 20541-4-1 |
| | ASTM-A-109 | PART NO |

CUSTOMER DRAWING