

4

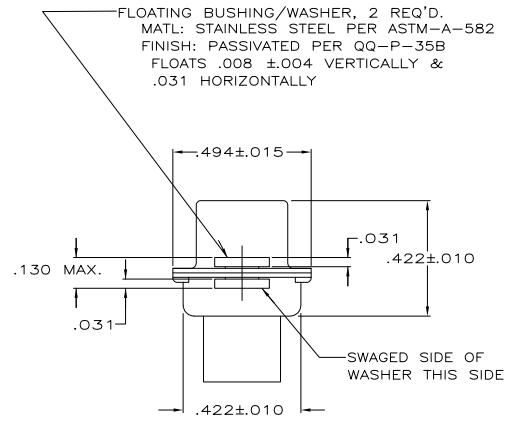
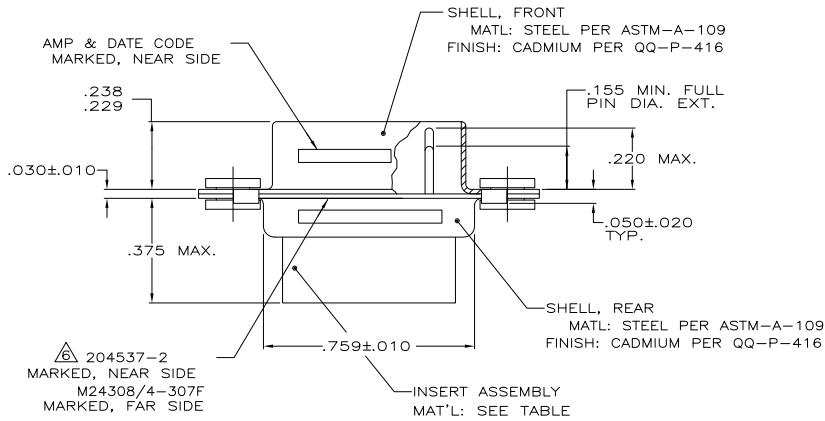
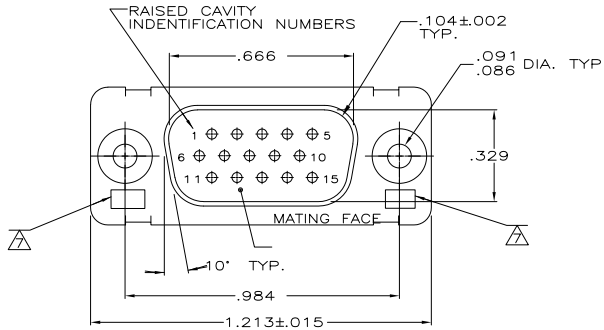
3

2

1

THIS DRAWING IS UNPUBLISHED. RELEASED FOR PUBLICATION. BY TYCO ELECTRONICS CORPORATION. ALL RIGHTS RESERVED.

LOC		DIST		REVISONS		DATE	MIN	APVD
DF	DO	P	LHR	DESCRIPTION				
		T		REV PER ECO-08-019991		22OCT08	PK	BW



1. THIS PLUG IS DESIGNED TO CONFORM TO THE LATEST ISSUE OF MIL-C-24308
2. MAX WIRE INSUL. TO BE USED WITH THIS PLUG IS .054 DIA.
3. METAL RETENTION CLIPS ARE INCLUDED IN INSERTS
4. PACKAGE MARKED M 24308/4-329F
5. THIS PLUG WILL ACCEPT SIZE 22 PIN CONTACT M 24308/13 OR AMP # 204370

- AMP PART NO. MARKED ON CONNECTOR REPRESENTS KIT NUMBER WITH CONTACTS
- UL/CSA DESIGNATION MARKED IN THIS AREA.

SUPERSEDED BY 204525-1	PHENOLIC, COLOR: BLACK	204525-2
	POLYPHENYLENE SULFIDE (PPS) GST-40F PER MIL-M-24519 OR GLASS FILLED POLYESTER TPES013G30 PER ASTM D5927 COLOR, BLACK	204525-1
	INSERT MATERIAL	PART NO.

THIS DRAWING IS A CONTROLLED DOCUMENT.		DR C.C. THOMAS 12-3-87	Tyco Electronics Corporation Harrisburg, PA 17105-3608	
DIMENSIONS: INCHES		DR F. BALLEW III 1-25-88	AMP # 204525	
TOLERANCES UNLESS OTHERWISE SPECIFIED:		APPD -	PRODUCT SPEC -	
0 PLC ± .005	1 PLC ± .005	2 PLC ± .005	APPLICATION SPEC -	
3 PLC ± .005	4 PLC ± .005	ANGLES ± .5	WEIGHT -	
MATERIAL FINISH SEE CALLOUTS		SIZE CASE CODE DRAWING NO. A2 00779 C-204525		RESTRICTED TO -
		CUSTOMER DRAWING		SCALE 4:1 SHEET 1 of 1 REV T

AMP 1471-9 REV 31MAR2000

204525

A