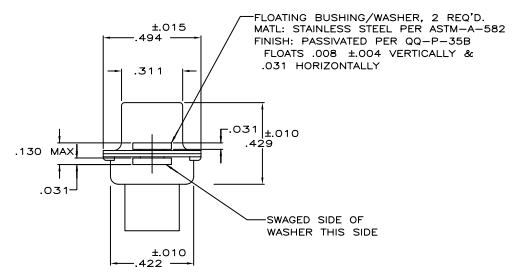
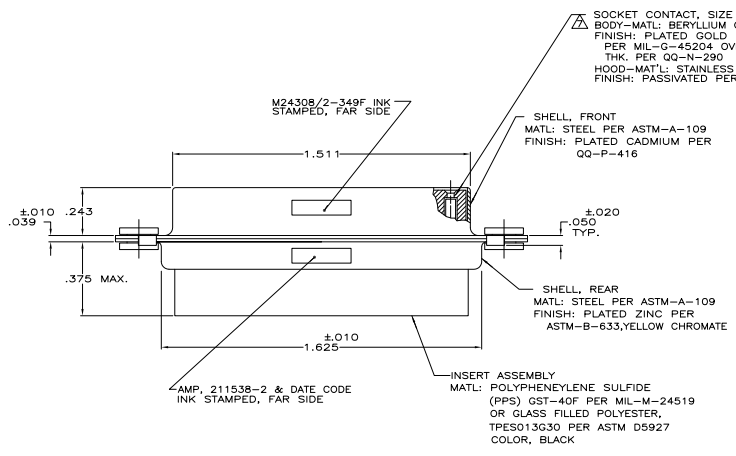
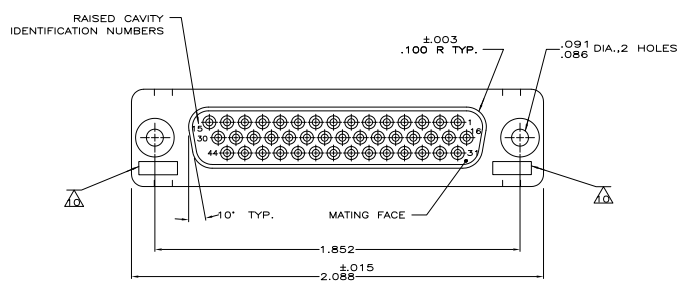


THIS DRAWING IS UNPUBLISHED
 ALL RIGHTS RESERVED

REV	DATE	DESCRIPTION	BY	CHK	APP
DF	DO				
F		REVISED PER ECO-10-02541			



1. THIS RECEPTACLE WILL MATE WITH ANY 44 POSN. SIZE 3 PLUG IN AMPLIMITE SERIES.
2. MAXIMUM WIRE INSULATION TO BE USED WITH THIS RECEPTACLE IS .054 DIA.
3. SST RETENTION CLIPS ARE INCLUDED IN INSERTS.

- △ PACKAGE STAMPED M24308/2-489F & AMP P/N 211538-1
- △ PACKAGE STAMPED M24308/2-349F & AMP P/N 211538-2
- △ PACKAGE STAMPED M24308/2-360F & AMP P/N 211538-3
- △ AMP P/N 204351-1; MIL P/N 57-354, INCLUDED IN KIT
- △ AMP P/N 91067-1; MIL P/N MB1969/1-04
- △ CONNECTOR SUPPLIED WITHOUT CONTACTS; SHOWN FOR ILLUSTRATION ONLY.
- △ UL/CSA DESIGNATION STAMPED IN THIS AREA, OPTIONAL

SUPSD BY	204540-2 & 91067-1	SAME AS	-1 EXCEPT: △ △ △	211538-3
		SAME AS	-1 EXCEPT: △ △	211538-2
		AS SHOWN	△ △	211538-1

THIS DRAWING IS A CONTROLLED DOCUMENT.		REV	DATE	DESCRIPTION	PART NO
DESIGNER	APPROVED	1	11-18-88	RECEPTACLE ASSY., AMPLIMITE	
DRG	CHK	2	11-18-88	44 POSN., SIZE 3, SERIES 90,	
ENG	APP	3	11-18-88	W/OVAL FLOATING BUSHINGS	
MAN	REL	4	11-18-88		
ISS	REV	5	11-18-88		
SEE CALLOUT	SEE CALLOUT	6	11-18-88		
CUSTOMER DRAWING		DATE	100779	Q=211538	REWORKED TO
		SCALE	NTS	SHEET	1 OF 1