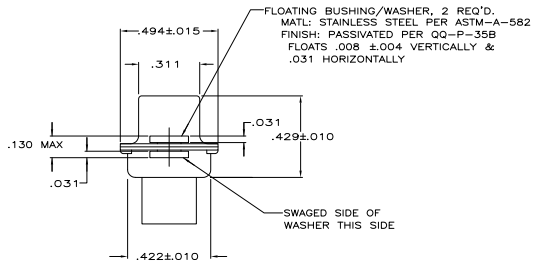
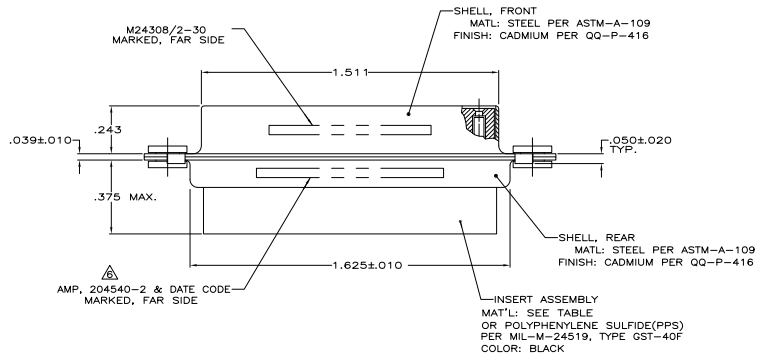
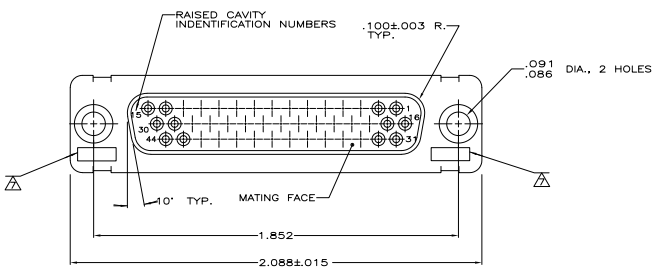


THIS DRAWING IS UNCLASSIFIED
 RELEASED FOR PUBLICIZATION
 © 2010 BY TYSO ELECTRONICS CORPORATION ALL RIGHTS RESERVED

| REVIEWS | | REVISIONS | |
|---------|----|-----------------------|---------|
| DATE | BY | DESCRIPTION | DATE |
| | N | REV PER E20-08-019991 | 2202108 |
| | | | PK BW |



1. THIS RCPT. IS DESIGNED TO CONFORM TO THE LATEST ISSUE OF MIL-C-24308
 2. MAX WIRE INSUL TO BE USED WITH THIS RCPT IS .054 DIA
 3. METAL RETENTION CLIPS ARE INCLUDED IN INSERTS
 4. PACKAGE MARKED M 24308/2-299F
 5. THIS RCPT. WILL ACCEPT SIZE 22 SOCKET CONTACT M 24308/12 OR AMP # 204351
- ⚠ AMP PART NO. MARKED ON CONNECTOR REPRESENTS KIT NUMBER WITH CONTACTS
- ⚠ UL/CSA DESIGNATION MARKED IN THIS AREA, OPTIONAL

| OBsolete | PHENOLIC, COLOR: BLACK | 204528-2 |
|----------|--|----------|
| | POLYPHENYLENE SULFIDE (PPS) GST-40F PER MIL-M-24519 OR GLASS FILLED POLYESTER TPESD13G30 PER ASTM D5927 COLOR: BLACK | 204528-1 |
| | INSERT MATERIAL | PART NO. |

THIS DRAWING IS A CONTROLLED DOCUMENT. DATE: 12-3-97. BY: J. THOMAS. REV: 1-28-98. DRAWN BY: J. BALLER. CHECKED BY: J. BALLER. APPROVED BY: J. BALLER.

AMPLIMITE RCPT FOR SOCKET CONTACTS HI-DENSITY D CONN, SIZE 3, SERIES 90 WITH FLOAT BUSHINGS

SEE CALLOUTS

CUSTOMER DRAWING

SIZE: ONE ONLY DRAWING NO: A1 007791 G=204528

DATE: 12-3-97

REV: 1

PK: N