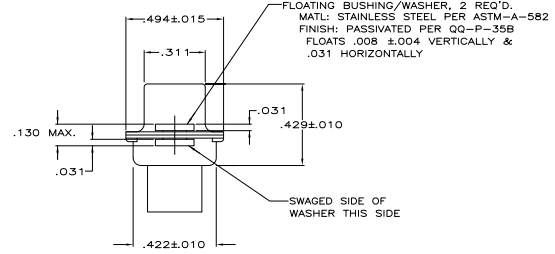
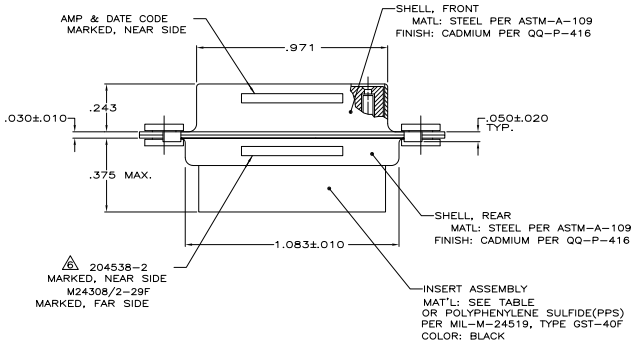
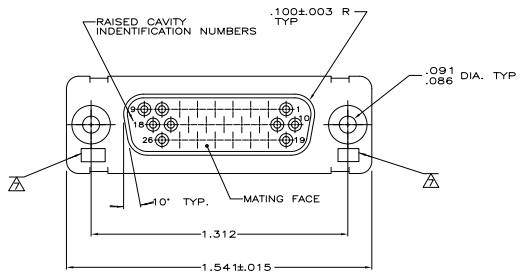


REVIEWS		DATE	BY	APP
DF	DO			
N				



1. THIS RCPT. IS DESIGNED TO CONFORM TO THE LATEST ISSUE OF MIL-C-24308
 2. MAX WIRE INSUL TO BE USED WITH THIS RCPT IS .054 DIA
 3. METAL RETENTION CLIPS ARE INCLUDED IN INSERTS
 4. PACKAGE MARKED M 24308/2-298F
 5. THIS RCPT. WILL ACCEPT SIZE 22 SOCKET CONTACT M 24308/12 OR AMP # 204351
- △ AMP PART NO. MARKED ON CONNECTOR REPRESENTS KIT NUMBER WITH CONTACTS
 △ UL/CSA DESIGNATION MARKED IN THIS AREA.

OBSOLETE	PHENOLIC, COLOR: BLACK	204524-2
	POLYPHENYLENE SULFIDE (PPS) GST-40F PER MIL-M-24519 OR GLASS FILLED POLYESTER TPESD13G30 PER ASTM D5927 COLOR: BLACK	204524-1
	INSERT MATERIAL	PART NO.

THIS DRAWING IS A CONTROLLED DOCUMENT.		REV. 11-3-87	11-3-87	11-3-87	11-3-87
DESIGNED BY: T. THOMAS		DESIGNED BY: T. BALLEW II	DESIGNED BY: T. BALLEW II	DESIGNED BY: T. BALLEW II	DESIGNED BY: T. BALLEW II
CHECKED BY: J. BALLEW II		CHECKED BY: J. BALLEW II	CHECKED BY: J. BALLEW II	CHECKED BY: J. BALLEW II	CHECKED BY: J. BALLEW II
DRAWN BY: J. BALLEW II		DRAWN BY: J. BALLEW II	DRAWN BY: J. BALLEW II	DRAWN BY: J. BALLEW II	DRAWN BY: J. BALLEW II
APPROVED BY: J. BALLEW II		APPROVED BY: J. BALLEW II	APPROVED BY: J. BALLEW II	APPROVED BY: J. BALLEW II	APPROVED BY: J. BALLEW II
TITLE: AMPLIMITE RCPT. FOR SOCKET CONTACTS H-DENSITY D DOWNSIDE 2, SERIES 90 WITH FLOAT BUSHINGS		TASK NO: 100779	REV: C	DATE: 11-3-87	REV: N
CUSTOMER DRAWING		FIG. 4-1	PAGE 1	OF 1	REV N