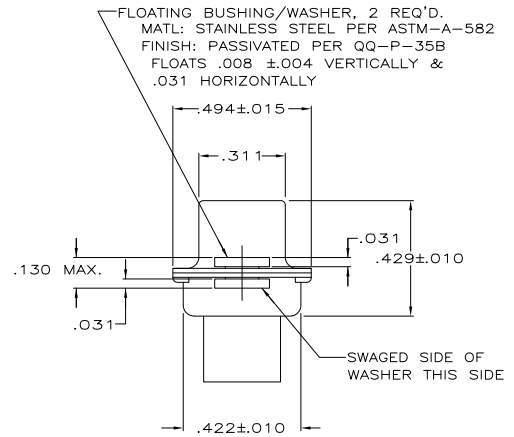
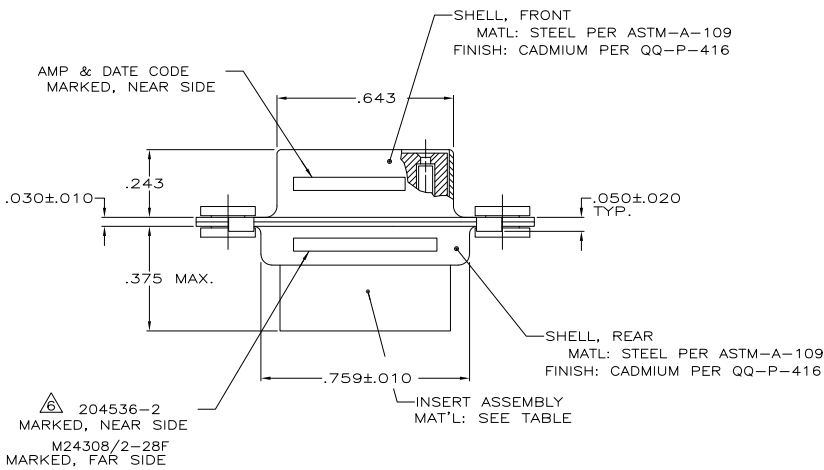
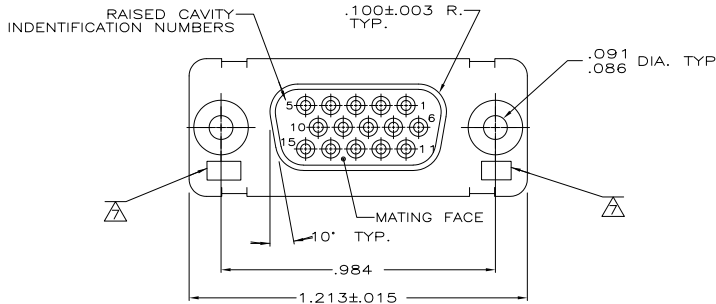


THIS DRAWING IS UNPUBLISHED. RELEASED FOR PUBLICATION  
 © COPYRIGHT BY TYCO ELECTRONICS CORPORATION. ALL RIGHTS RESERVED.

LOC	DF	DO	REV	PER	ECO	NO	DESCRIPTION	DATE	MIN	APD
			P							
			P				REV PER ECO-08-019991	22OCT08	PK	BW



1. THIS RCPT. IS DESIGNED TO CONFORM TO THE LATEST ISSUE OF MIL-C-24308
  2. MAX WIRE INSUL TO BE USED WITH THIS RCPT IS .054 DIA
  3. METAL RETENTION CLIPS ARE INCLUDED IN INSERTS
  4. PACKAGE MARKED M 24308/2-297F
  5. THIS RCPT. WILL ACCEPT SIZE 22 SOCKET CONTACT M 24308/12 OR AMP # 204351
- △ 204536-2 MARKED, NEAR SIDE  
 M24308/2-28F MARKED, FAR SIDE  
 △ AMP PART NO. MARKED ON CONNECTOR REPRESENTS KIT NUMBER WITH CONTACTS  
 △ UL/CSA DESIGNATION MARKED IN THIS AREA.

OBSOLETE	PHENOLIC, COLOR: BLACK	204524-2
	POLYPHENYLENE SULFIDE (PPS) GST-40F PER MIL-M-24519 OR GLASS FILLED POLYESTER TPES013G30 PER ASTM D5927 COLOR, BLACK	204524-1
	INSERT MATERIAL	PART NO.

THIS DRAWING IS A CONTROLLED DOCUMENT.		DR C.C. THOMAS 12-3-87	Tyco Electronics Corporation Harrisburg, PA 17105-3608	
DIMENSIONS: INCHES		CR F. BALLEW III 1-25-88	AMP D.U.M. 1-25-88	
TOLERANCES UNLESS OTHERWISE SPECIFIED:		PRODUCT SPEC	APPLICATION SPEC	
0 PLC	± .005	WEIGHT	SIZE	CASE CODE
1 PLC	± .005	FINISH	A2	00779
2 PLC	± .005		C-204524	RESTRICTED TO
3 PLC	± .005			—
4 PLC	± .005			—
ANGLES	± .02°			—
MATERIAL	SEE CALLOUTS	CUSTOMER DRAWING	SCALE	4:1
FINISH	SEE CALLOUTS		SHEET	1 of 1
			REV	P

AMP 1471-9 REV 31MAR2000

204524

A