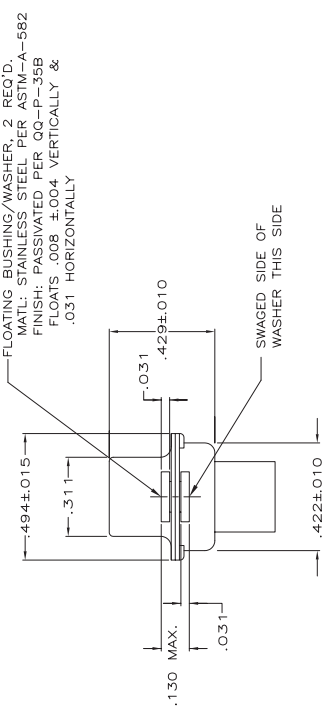
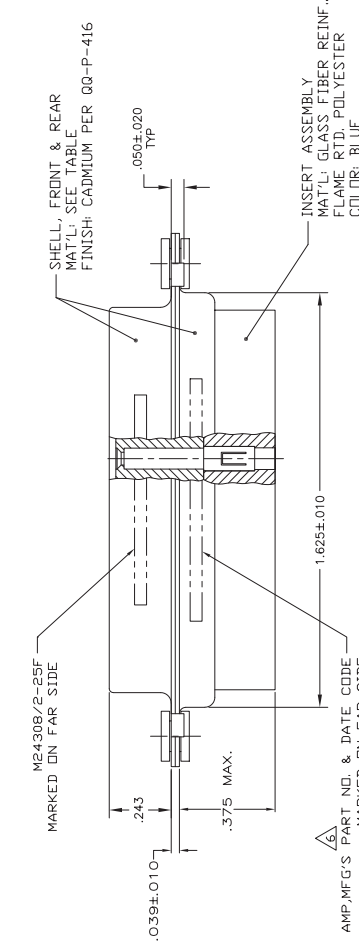
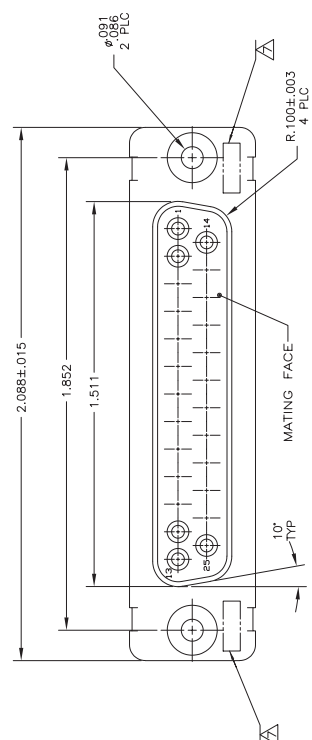


REV	DATE	BY	CHK	DESCRIPTION
1	6-4-59	CT	RL	REV PER ECO 09-012398



- THIS RCPT. IS DESIGNED TO CONFORM TO THE LATEST ISSUE OF MIL-C-24308
  - MAX WIRE INSUL TO BE USED WITH THIS RCPT IS .068 DIA
  - STAINLESS STEEL RETENTION CLIPS ARE INCLUDED IN INSERTS
  - PACKAGE STAMPED M24308/2-25AF
  - THIS RCPT WILL ACCEPT SIZE 20 SOCKET CONTACT
- M24308/10 DR TE # 205090  
MFG'S PART NO. STAMPED ON CONNECTOR REPRESENTS KIT NUMBER WITH CONTACTS  
UL/CSA DESIGNATION STAMPED IN THIS AREA.

OBSOLETE	BRASS	205418-2
	STEEL PER ASTM-A-109	205418-1
	SHELL MATERIAL	PART NO.

THIS DRAWING IS A CONTROLLED DOCUMENT.	
DATE	REVISION
6-4-59	1
6-4-59	2
6-4-59	3
6-4-59	4
6-4-59	5
6-4-59	6
6-4-59	7
6-4-59	8
6-4-59	9
6-4-59	10
6-4-59	11
6-4-59	12
6-4-59	13
6-4-59	14
6-4-59	15
6-4-59	16
6-4-59	17
6-4-59	18
6-4-59	19
6-4-59	20
6-4-59	21
6-4-59	22
6-4-59	23
6-4-59	24
6-4-59	25
6-4-59	26
6-4-59	27
6-4-59	28
6-4-59	29
6-4-59	30
6-4-59	31
6-4-59	32
6-4-59	33
6-4-59	34
6-4-59	35
6-4-59	36
6-4-59	37
6-4-59	38
6-4-59	39
6-4-59	40
6-4-59	41
6-4-59	42
6-4-59	43
6-4-59	44
6-4-59	45
6-4-59	46
6-4-59	47
6-4-59	48
6-4-59	49
6-4-59	50
6-4-59	51
6-4-59	52
6-4-59	53
6-4-59	54
6-4-59	55
6-4-59	56
6-4-59	57
6-4-59	58
6-4-59	59
6-4-59	60
6-4-59	61
6-4-59	62
6-4-59	63
6-4-59	64
6-4-59	65
6-4-59	66
6-4-59	67
6-4-59	68
6-4-59	69
6-4-59	70
6-4-59	71
6-4-59	72
6-4-59	73
6-4-59	74
6-4-59	75
6-4-59	76
6-4-59	77
6-4-59	78
6-4-59	79
6-4-59	80
6-4-59	81
6-4-59	82
6-4-59	83
6-4-59	84
6-4-59	85
6-4-59	86
6-4-59	87
6-4-59	88
6-4-59	89
6-4-59	90
6-4-59	91
6-4-59	92
6-4-59	93
6-4-59	94
6-4-59	95
6-4-59	96
6-4-59	97
6-4-59	98
6-4-59	99
6-4-59	100