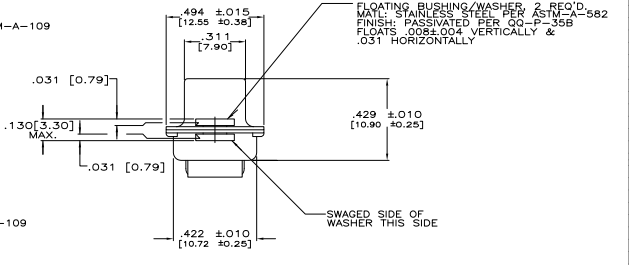
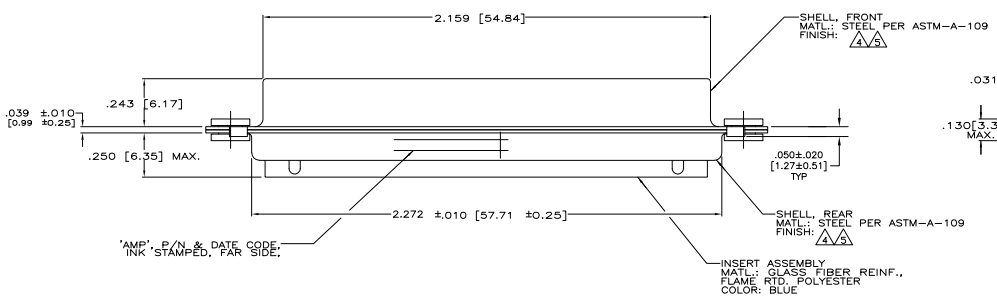
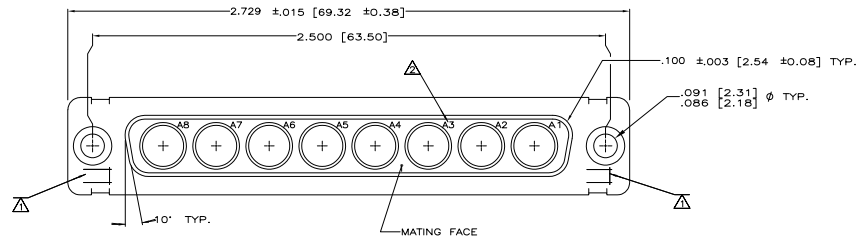


THIS DRAWING IS UNPUBLISHED. REPRODUCED FOR INFORMATION ONLY. ALL RIGHTS RESERVED.
 © 2008 BY TTI ELECTRONICS CORPORATION

| REV | DATE | DESCRIPTION | BY | APP |
|-----|------|-----------------------|---------|-------|
| DF | DO | | | |
| B | | REV PER ECO 05-014404 | 02FEB06 | BL CT |



- △ UL/CSA DESIGNATION STAMPED IN THIS AREA, OPTIONAL.
- △ RAISED NUMBERS FOR IDENTIFICATION OF CIRCUIT HOLES.
- 3. CONTACTS NOT SUPPLIED WITH ASSEMBLY. CONTACTS TO BE PURCHASED SEPARATELY.
- △ FINISH: CADMIUM PER QQ-P-416.
- △ FINISH: ZINC PLATED PER ASTM-B-633 .000200-.000400 THK WITH SUPPLEMENTARY CHROMATE (Cr3+).

| | |
|------|------------|
| △ | 5-447720-1 |
| △ | 447720-1 |
| NOTE | PART NO |

| | | | |
|--|-----------------------|-------------------|------------------|
| THIS DRAWING IS A CONTROLLED DOCUMENT. | | DATE: 2/12/01 | REV: 1 |
| DESIGNED BY: [Signature] | DESIGNED: [Signature] | DATE: 2/12/01 | REV: 1 |
| DR: [Signature] | DR: [Signature] | DATE: [Signature] | REV: [Signature] |
| CHKD: [Signature] | CHKD: [Signature] | DATE: [Signature] | REV: [Signature] |
| APP: [Signature] | APP: [Signature] | DATE: [Signature] | REV: [Signature] |
| CUSTOMER DRAWING | | SIZE: A1 | DATE: 00779 |
| DRAWING NO: 447720 | | ISSUE: 1 | REV: 1 |