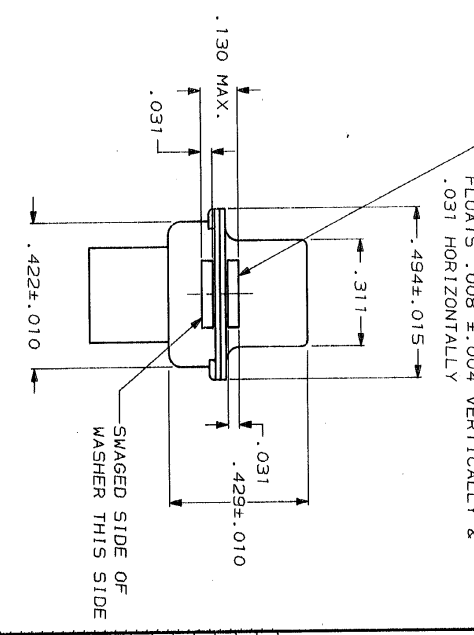
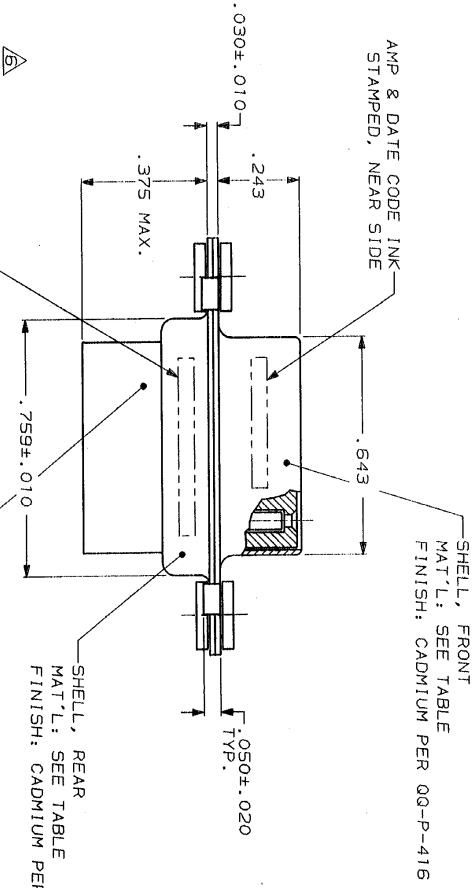
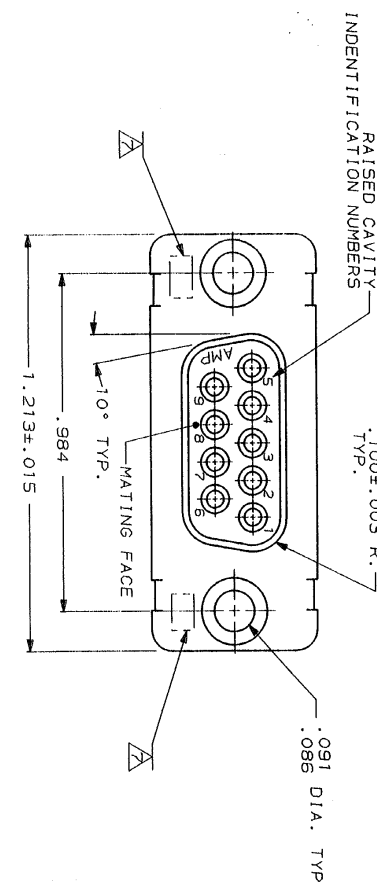


PROJ	5066	DC	DF	015'	REV	DATE	APP'D
CODE							
ZONE	LJR	REV	8	DF-0021	87		
DESCRIPTION	CON	DF-0150	CCT				
REV / EN	DF-1034	TW			11-2-88		

REV	DATE	APP'D
1	12-9-87	
2	87	
3	11-2-88	



1. THIS RCPT. IS DESIGNED TO CONFORM TO THE LATEST ISSUE OF MIL-C-24308
2. MAX WIRE INSUL TO BE USED WITH THIS RCPT IS .068 DIA
3. STAINLESS STEEL RETENTION CLIPS ARE INCLUDED IN INSERTS
4. PACKAGE STAMPED M24308/2-292F
5. THIS RCPT. WILL ACCEPT SIZE 20 SOCKET CONTACT M24308/10 OR AMP # 205090

AMP PART NO. INK STAMPED, NEAR SIDE M24308/2-29F INK STAMPED, FAR SIDE

INSERT ASSEMBLY MAT'L: GLASS FIBER REINF., FLAME RTD. POLYESTER COLOR: BLUE

SHELL, FRONT MAT'L: SEE TABLE FINISH: CADMIUM PER QQ-P-416

SHELL, REAR MAT'L: SEE TABLE FINISH: CADMIUM PER QQ-P-416

DO NOT SCALE PRINT. UNLESS SPECIFIED DIMENSIONS IN INCHES	DR 12-9-87 C.C. THOMAS	NAME	AMP
1 DIMENSION ON 1" = 1"	CHK 12-10-87 FC BALLEW 111	AMP LITE RCPT. FOR SOCKET CONTACTS	AMP INCORPORATED
2 PLC DEC ± .005	APPD 12-10-87 FC BALLEW 111	HI-DENSITY "HDM-20" CONNECTOR	Headquarters, No. 17105
3 ANGLES ± 0°30'	APPD 12-10-87 DJH	SIZE 1 (9 POSN) SERIES 109	
MATERIAL	PRODUCT SPEC	WITH FLOAT BUSHINGS	
SEE CALLOUTS	APPLICATION SPEC		
FINISH	WEIGHT		
SEE CALLOUTS			

SCALE	4:1
DRAWING NO.	205416
SHEET	1 OF 1

AMP 14711-S REV 3-87

CUSTOMER DRAWING