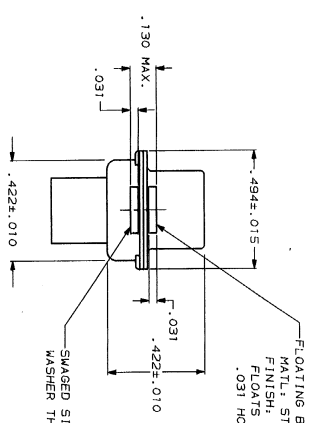
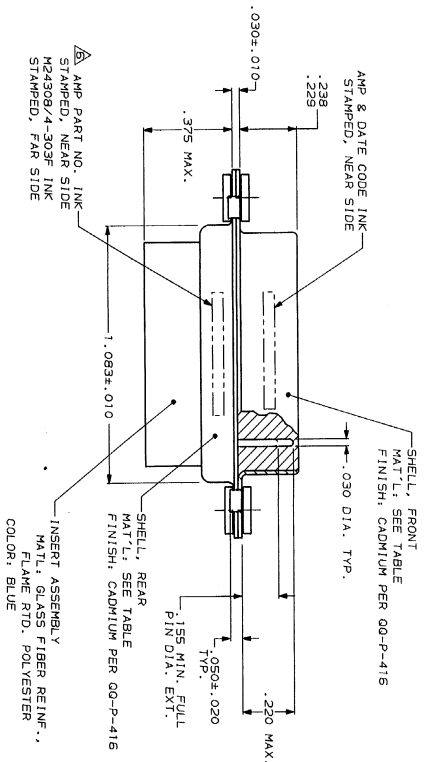
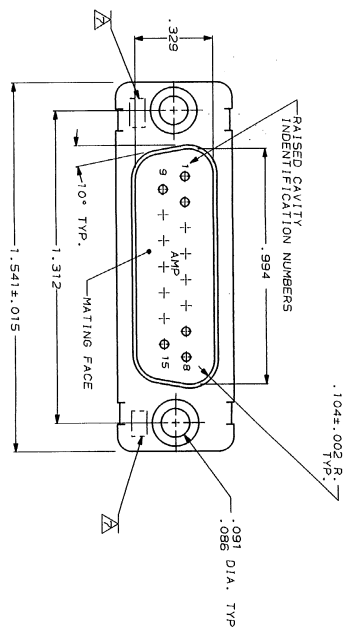


THIS DRAWING IS UNCONTROLLED
 © COPYRIGHT 1987
 RELEASED FOR PUBLICIZATION
 BY AMP INCORPORATED, ALL INFORMATION REMAINS RESERVED.

19
 7
 6
 5

4
 3
 2
 1

REV	DATE	BY	APP'D	REVISIONS
00	06-01-87	DL		REV 2 REGRAMM FOR 021 & 12-87
1	06-01-87	K		REV / ECU 06-1034 TM



1. THIS PLUG IS DESIGNED TO CONFORM TO THE LATEST ISSUE OF MIL-C-24308
2. MAX WIRE INSUL. TO BE USED WITH THIS PLUG IS .068 DIA.
3. STAINLESS STEEL RETENTION CLIPS ARE INCLUDED IN INSERTS
4. PACKAGE STAMPED M 24308/4-325F
5. THIS PLUG WILL ACCEPT SIZE 20 PIN CONTACT M24308/11 OR AMP # 205089

AMP PART NO. INK STAMPED NEAR SIDE M24308/4-308F INK STAMPED, FAR SIDE

SHELL, REAR MAT'L, SEE TABLE FINISH, CADMIUM PER QQ-P-416

INSERT ASSEMBLY MAT'L, GLASS FIBER REINFR., FLAME RTD. POLYESTER, COLOR: BLUE

REV	DATE	BY	APP'D	REVISIONS
00	06-01-87	DL		REV 2 REGRAMM FOR 021 & 12-87
1	06-01-87	K		REV / ECU 06-1034 TM

CUSTOMER DRAWING