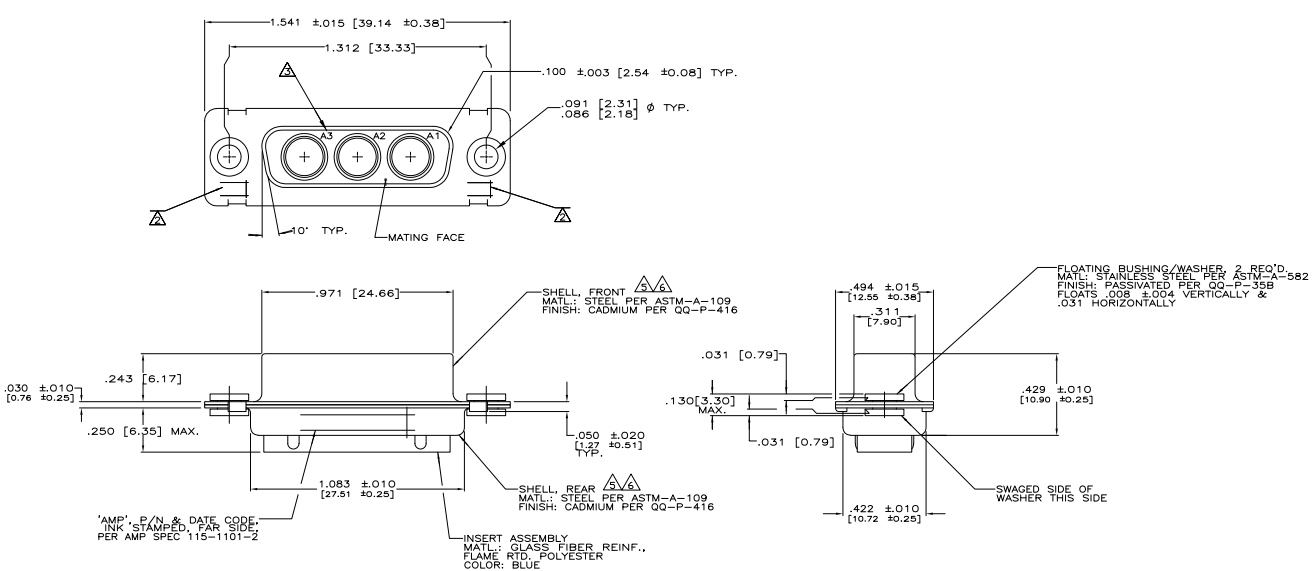


THIS DRAWING IS UNPUBLISHED  
 RECEIVED FOR REPRODUCTION  
 © TYS ELECTRONICS CORPORATION ALL RIGHTS RESERVED

REV	DATE	DESCRIPTION	BY	CHK	APP
DF	DO				
A		REV PER ECU 05-014925			23/06/06 BL CT



1. THIS RCPT. IS DESIGNED TO CONFORM TO THE LATEST ISSUE OF MIL-C-24308.
2. UL/CSA DESIGNATION STAMPED IN THIS AREA, OPTIONAL.
3. RAISED NUMBERS FOR IDENTIFICATION OF CIRCUIT HOLES.
4. CONTACTS NOT SUPPLIED WITH ASSEMBLY. CONTACTS TO BE PURCHASED SEPARATELY.
5. FINISH: CADMIUM PER QQ-P-416.
6. FINISH: ZINC PLATE PER ASTM-B-633 .000200-.000400 THK WITH SUPPLEMENTARY CHROMATE (C73+).

THIS DRAWING IS A CONTROLLED DOCUMENT.		REV	DATE	DESCRIPTION	BY	CHK	APP
REV	DATE	DESCRIPTION	BY	CHK	APP		
AS SHOWN							
NOTES		TYS Electronics Corporation Harrisburg, PA 17105-3608					
RECEPTACLE ASSEMBLY, AMPLIMITE, 3C3, SIZE 2, SERIES 109, COAX, WITH FLOAT BUSHINGS.		PART NO 447718-1					
CUSTOMER DRAWING		SIZE	DATE	ISSUE	NO	REV	NO
A1		00779	G=447718	1	1	A	