

4

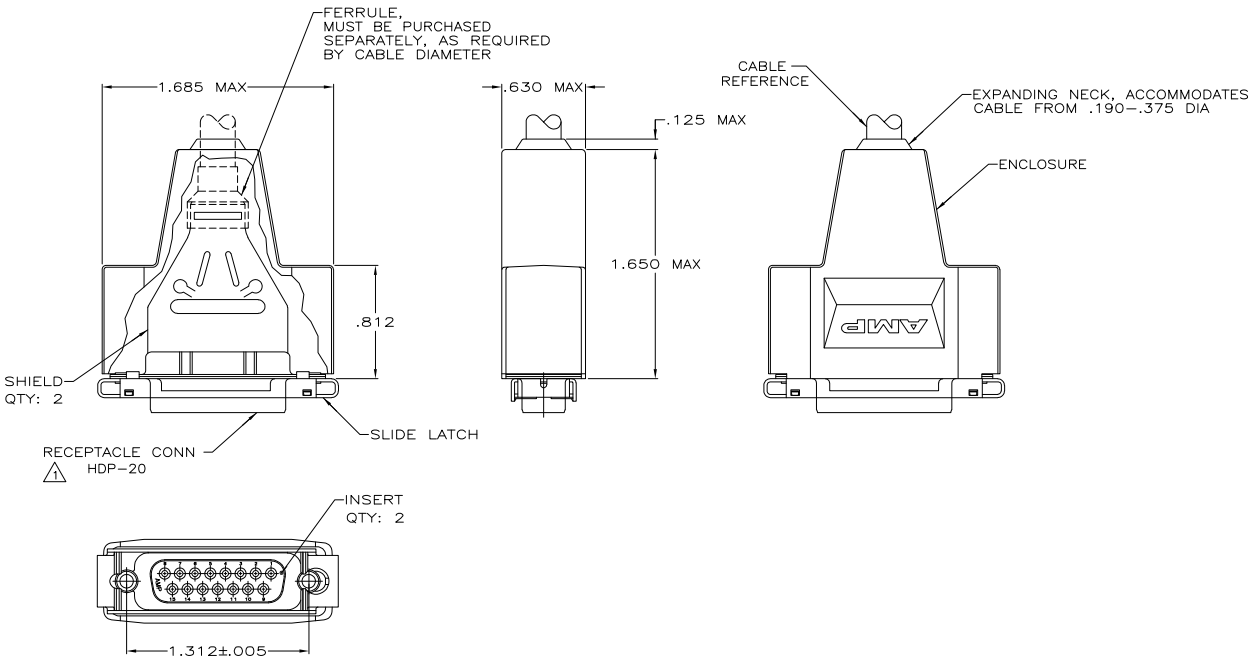
3

2

1

THIS DRAWING IS UNPUBLISHED. RELEASED FOR PUBLICATION  
 © COPYRIGHT BY TYCO ELECTRONICS CORPORATION. ALL RIGHTS RESERVED.

LOC	DIST	REVISIONS				
GP	00	P	LTR	DATE	MIN	APVD
		01		REVISED PER ECO-04-007631	12SEP06	JDP/CWR



- ⚠ RECEPTACLE ACCEPTS SIZE 20 DF SOCKET CONTACTS. CONTACTS MUST BE PURCHASED SEPARATELY.
- 2. ALL PARTS SHIPPED UNASSEMBLED.
- 3. COMPONENTS INDIVIDUALLY BULK PACKAGED.
- ⚠ ENCLOSURE: ELASTOMER, STYRENE POLYOLEFIN, OR PVC, BLACK.
- ⚠ SLIDE LATCH: STAINLESS STEEL PER ASTM A167.
- ⚠ INSERTS: FLAME RETARDANT, 94V-0 RATED, GLASS FILLED, NYLON, BLACK.
- ⚠ SHIELDS & SHELLS: CARBON STEEL PER ASTM A109.
- ⚠ SHELLS & SHIELDS: .000200 MIN TIN PLATE OVER .000050 MIN COPPER UNDERPLATE.

5749246-1  
 PART NUMBER

THIS DRAWING IS A CONTROLLED DOCUMENT.		DR: C. ATTADIA 11-11-04	Tyco Electronics Corporation	
DIMENSIONS: INCHES		CHK: J. GERACE 11-11-04	Harrisburg, PA 17105-3608	
TOLERANCES UNLESS OTHERWISE SPECIFIED:		APP: M. WALMSLEY 11-11-04	Tyco Electronics	
Ø PLC ± .005	Ø PLC ± .005	APPLICATION SPEC: 114-40030	SIZE: A2	RESTRICTED TO: -
Ø PLC ± .005	Ø PLC ± .005	HEIGHT: -	ONE CODE (DRAWING NO): 00779	SCALE: 2:1
Ø PLC ± .005	Ø PLC ± .005	MATERIAL: ⚠	C=5749246	SHEET: 1 of 1
Ø PLC ± .005	Ø PLC ± .005	FINISH: ⚠	CUSTOMER DRAWING	REV: 01

AMP 1471-9 REV 31MM2000

5749246

A