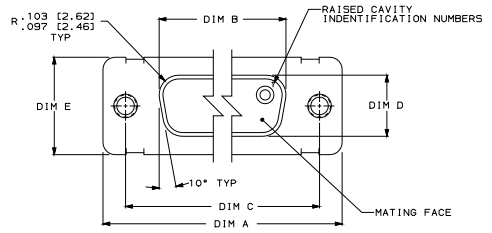
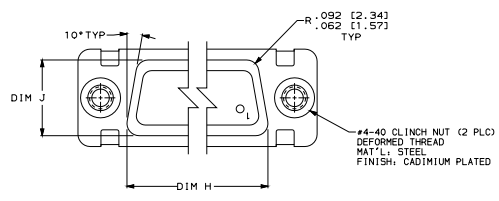
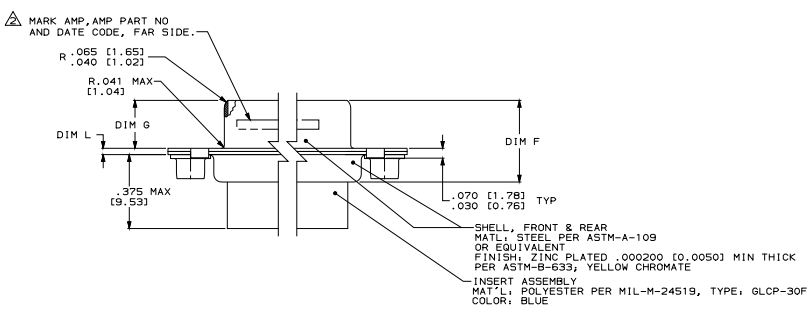


REV	DATE	DESCRIPTION	BY	CHK	APP
DF	DO				
A		REVISED INSERT DIM			



1. THE CONNECTORS DESCRIBED IN THIS DOCUMENT WILL MATE WITH ANY PLUG CONNECTOR WITH THE SAME INSERT ARRANGEMENT.
2. MARKED WITH .047 [1.19]-.062 [1.57] HIGH CHARACTERS. FAR SIDE REFERS TO THE WIDE SIDE OF THE KEYSTONE. NEAR SIDE REFERS TO THE NARROW SIDE OF THE KEYSTONE. IF THE FRONT SHELL IS TOO SMALL FOR "AMP", AMP PART NUMBER AND DATE CODE, THEN SPLIT AS FOLLOWS:
 A. AMP PART NUMBER ON REAR SHELL, NEAR SIDE.
 B. "AMP" AND DATE CODE ON FRONT SHELL, NEAR SIDE.



L	J	H	G	F	E	D	C	B	A	NO OF INSERT ARRANGEMENT	SHELL POS. SIZE	PART NUMBER	
.049 [1.24]	.606 [15.39]	2.312 [58.72]	.248 [6.30]	.439 [11.15]	.693 [17.25]	.490 [12.45]	2.505 [63.63]	2.184 [55.73]	2.744 [69.70]	MS14004-1	104	6	1218747-6
.029 [0.74]	.586 [14.88]	2.292 [58.22]	.238 [6.05]	.419 [10.64]	.653 [16.59]	.480 [12.19]	2.495 [63.37]	2.184 [55.47]	2.714 [68.94]	MS18277-2	78	5	1218747-5
.040 [1.02]	.544 [13.82]	2.188 [55.58]	.248 [6.30]	.439 [11.15]	.620 [15.75]	.428 [10.87]	2.411 [61.24]	2.069 [52.56]	2.650 [67.31]	MS18276-2	62	4	1218747-4
.020 [0.51]	.524 [13.31]	2.168 [55.07]	.238 [6.05]	.419 [10.64]	.590 [14.98]	.418 [10.62]	2.401 [60.99]	2.059 [52.30]	2.620 [66.52]	MS18275-2	44	3	1218747-3
.049 [1.24]	.432 [10.97]	1.635 [41.53]	.248 [6.30]	.439 [11.15]	.509 [12.93]	.316 [8.03]	1.857 [47.17]	1.516 [38.51]	2.103 [53.42]	MS18274-2	26	2	1218747-2
.029 [0.74]	.412 [10.46]	1.615 [41.02]	.238 [6.05]	.419 [10.64]	.479 [12.17]	.306 [7.77]	1.847 [46.91]	1.506 [38.25]	2.073 [52.65]	MS18273-2	15	1	1218747-1
.040 [1.02]	.452 [10.97]	1.093 [27.76]	.248 [6.30]	.439 [11.15]	.509 [12.93]	.316 [8.03]	1.315 [33.45]	.976 [24.79]	1.556 [39.52]				
.020 [0.51]	.412 [10.46]	1.073 [27.25]	.238 [6.05]	.419 [10.64]	.479 [12.17]	.306 [7.77]	1.307 [33.20]	.966 [24.54]	1.526 [38.76]				
.040 [1.02]	.432 [10.97]	.769 [19.53]	.248 [6.30]	.439 [11.15]	.509 [12.93]	.316 [8.03]	.989 [25.12]	.648 [16.46]	1.226 [31.15]				
.020 [0.51]	.412 [10.46]	.749 [19.02]	.238 [6.05]	.419 [10.64]	.479 [12.17]	.306 [7.77]	.979 [24.87]	.638 [16.21]	1.198 [30.43]				

THIS DRAWING IS A CONTROLLED DOCUMENT. (P. C. THOMAS) 11-13-90

INCHES (mm)

REVISIONS

DATE

BY

CHK

APP

THIS DRAWING IS A CONTROLLED DOCUMENT. (P. C. THOMAS) 11-13-90

REVISIONS

DATE

BY

CHK

APP

SEE CALLOUTS

SEE CALLOUTS

EUSTOMER DRAWING

AMP Incorporated
 Harrisburg, PA 17105-3608

RECEPTACLE ASSY,AMPLITE, SERIES 90,
 SIZE 22,ZINC PLATED WITH
 #4-40 CLINCH NUTS

SIZE

DATE

BY

CHK

APP

100779

1218747

REV 4.1

REV A