

4

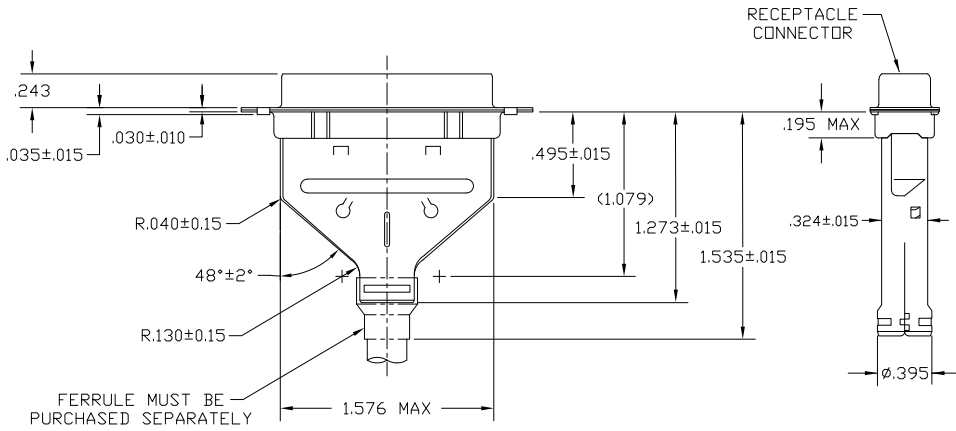
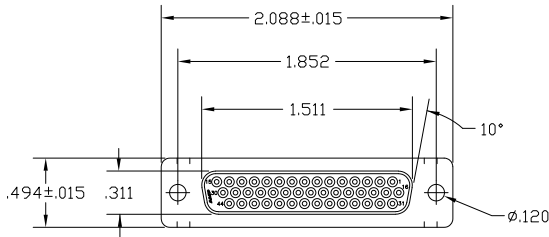
3

2

1

THIS DRAWING IS UNPUBLISHED. RELEASED FOR PUBLICATION
 BY TYCO ELECTRONICS CORPORATION. ALL RIGHTS RESERVED.

| LOC | DIST | REVISIONS | | | | | |
|-----|------|-----------|----|---------------------------|-----------|-----|-----|
| GP | 00 | P | LR | DESCRIPTION | DATE | MIN | APD |
| | | A | | REVISED PER ECO-10-020603 | 20DEC2010 | CJV | VDR |



- RECEPTACLE ACCEPTS SIZE 22 DF SOCKET CONTACTS WHICH MUST BE ORDERED SEPARATELY.
 - ALL PARTS SHIPPED UNASSEMBLED, EACH PART INDIVIDUALLY BULK PACKED
- ⚠ MOLDED PARTS: FLAME RETARDANT GLASS FILLED NYLON, 94V-0 RATED, COLOR BLACK.
 SHELLS & SHIELDS: STEEL PER ASTM A109.
- ⚠ SHELLS & SHIELDS: .000200 MIN TIN PLATE OVER .000100 MIN COPPER UNDERPLATE.

5748636-1
 PART NUMBER

| | | | |
|--|--|---|--|
| THIS DRAWING IS A CONTROLLED DOCUMENT. | | DWG: L VABELA - 12-21-04 CHK: J GERACE - 12-21-04 APP: M. WALMSLEY - 12-21-04 NAME: M. WALMSLEY PRODUCT SPEC: 108-40005 & 108-40030 APPLICATION SPEC: 114-40030 HEIGHT: - CUSTOMER DRAWING | Tyco Electronics Corporation Harrisburg, PA 17105-3608 HARDWARE, 44 POSN, SIZE 3, AMPLIMITE, HDP-22 SIZE: A2 CASE CODE: 00779 DRAWING NO: C=5748636 SCALE: 2:1 SHEET: 1 OF 1 REV: A |
| DIMENSIONS: INCHES | 0 PLC ± . 1 PLC ± . 2 PLC ± . 3 PLC ± .005 4 PLC ± . ANGLES ± . | TOLERANCES UNLESS OTHERWISE SPECIFIED: FINISH: ⚠ | RESTRICTED TO: - |

AMP 1471-9 REV 31MM0200

5748636