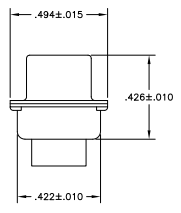
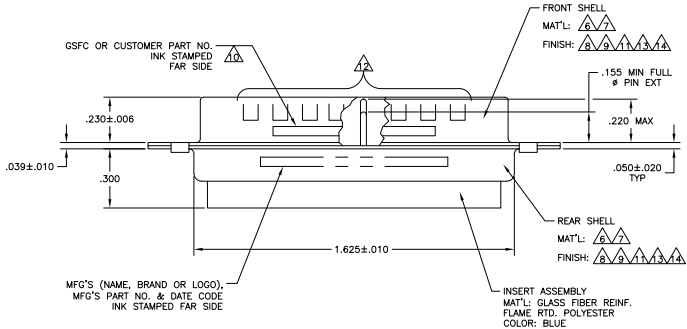
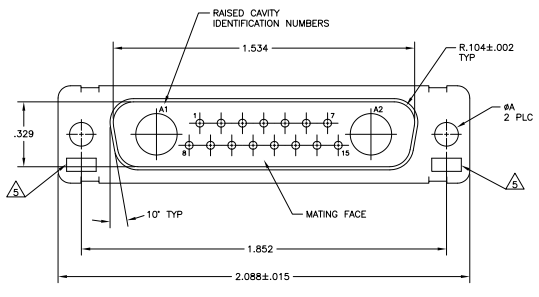


REV	DATE	DESCRIPTION	BY	APP'D
DF				
DO				
J		REVISED PER ECO-08-012641		



- THIS PLUG WILL MATE WITH ANY 17C2, SIZE 3 RECEPTACLE IN AMPLIMITE SERIES.
 - MAXIMUM WIRE INSULATION TO BE USED WITH THIS PLUG IS .068.
 - THIS CONNECTOR ACCEPTS (2) POWER 8, OR COAX PIN CONTACTS IN POSITIONS A1 & A2, PURCHASED SEPARATELY.
 - THIS CONNECTOR ACCEPTS SIZE 20 PIN SIGNAL CONTACTS IN POSITIONS 1 THRU 15, PURCHASED SEPARATELY.
- ▲ UL/CSA DESIGNATION STAMPED IN THIS AREA, OPTIONAL.
 - ▲ STEEL PER ASTM-A-109.
 - ▲ BRASS PER MIL-C-50 AND ASTM-B-36 UNS NO. C26000.
 - ▲ CADMIUM PLATED PER QQ-P-416.
 - ▲ GOLD PLATED PER MIL-G-45204 TYPE II, GRADE C, CLASS 1 OVER COPPER PER MIL-C-14550, CLASS IV.
 - ▲ WESTINGHOUSE PART NO. 97942-645A935H05 INK STAMPED.
 - ▲ FINISH: TIN PER ASTM-B-545 .000200 MIN THK OVER COPPER PER AMS2418 .000100-.000200 THK.
 - ▲ FINISH: ZINC PLATE PER ASTM-B-633 .000200-.000400 THK WITH SUPPLEMENTARY CHROMATE (Cr3+).

▲▲	.120	-	5-212506-1
▲▲▲	.120	-	5-212506-5
▲▲▲	.120	-	212506-5
▲▲▲	.154	311P405-13S-B-15	212506-4
▲▲▲	.120	-	212506-3
▲▲▲	.120	311P405-13S-B-12	212506-2
▲▲	.120	-	212506-1

THIS DRAWING IS A CONTROLLED DOCUMENT. **TYS ELECTRONICS CORPORATION** Harrisburg, PA 17105-3608

REVISIONS: **PLUG ASSEMBLY**
 AMPULMITE 17C2
 SIZE 3, SERIES 109, COAX MIX

DATE: 01-04-08
 DRAWING NO: A100779
 PART NO: 212506

CUSTOMER DRAWING