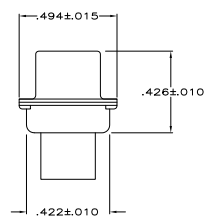
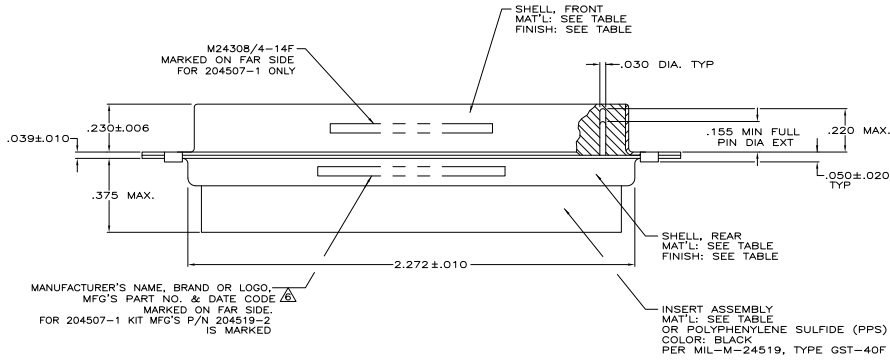
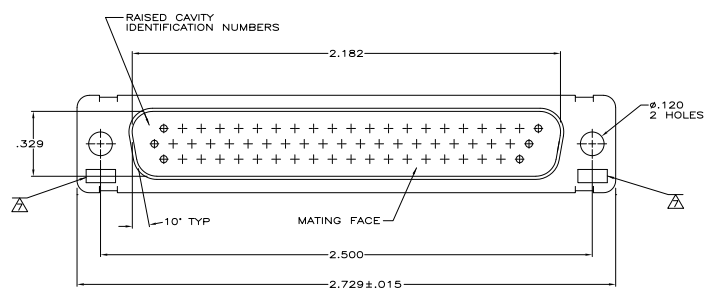


1. THIS PLUG IS DESIGNED TO CONFORM TO THE LATEST ISSUE OF MIL-C-24308.
 2. MAX WIRE INSUL. TO BE USED WITH THIS PLUG IS .054 DIA.
 3. METAL RETENTION CLIPS ARE INCLUDED IN INSERTS.
 4. PACKAGE STAMPED M 24308/4-267F.
 5. THIS PLUG WILL ACCEPT SIZE 22 PIN CONTACT M 39029/58-360 OR ANY TYCO HDD-22 PIN CONTACT
- ⚠ MFG'S PART NO. STAMPED ON CONNECTOR REPRESENTS KIT NUMBER WITH CONTACTS FOR 204507-1 ONLY.
 ⚠ UL/CSA DESIGNATION STAMPED IN THIS AREA, OPTIONAL.
 ⚠ P/N'S 204507-4, -5, & 5--4 HAVE GROUNDING INDENTS ON FRONT SHELL, NOT SHOWN ON DRAWING.
 ⚠ FINISH: BRIGHT TIN PER ASTM-B-545 .000400-.000550 THK OVER COPPER PER AMS2418, .000050 MIN THK.



MANUFACTURER'S NAME, BRAND OR LOGO, MFG'S PART NO. & DATE CODE MARKED ON FAR SIDE. FOR 204507-1 KIT MFG'S P/N 204519-2 IS MARKED

⚠	BRIGHT TIN PER ASTM-B-545	STEEL, CLASS G	GST-40F PER MIL-M-24519	5-204507-4
⚠		STEEL, CLASS G	GST-40F PER MIL-M-24519	204507-6
⚠		STEEL, CLASS G	GST-40F PER MIL-M-24519	204507-5
⚠	BRIGHT TIN PER ASTM-B-545	STEEL, CLASS G	GST-40F PER MIL-M-24519	204507-4
SUPSD BY 204507-1	CADMIUM PER QQ-P-416	STEEL, CLASS G	GST-40F PER MIL-M-24519	204507-3
SUPSD BY 206502-4	CADMIUM PER QQ-P-416	BRASS	GST-40F PER MIL-M-24519	204507-2
	CADMIUM PER QQ-P-416	STEEL, CLASS G	GST-40F PER MIL-M-24519	204507-1

THIS DRAWING IS A CONTROLLED DOCUMENT.		BY C. THOMAS	DATE 08/07	TSC Electronics Corporation Harrisburg, PA 17105-3608
DRAWN BY J. BALLEW		DATE 08/07	REVISED BY	
DESCRIPTION	AMPLITUDE PLUG FOR PIN CONTACTS HI-DENSITY D CONNECTION SIZE 4 (SEE PICON) SERIES 90	SIZE	DATE	REVISED TO
SEE TABLE	SEE CALLOUTS	A1	00779	204507
	CUSTOMER DRAWING	SIZE	4:1	REV