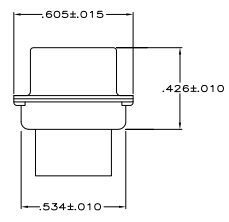
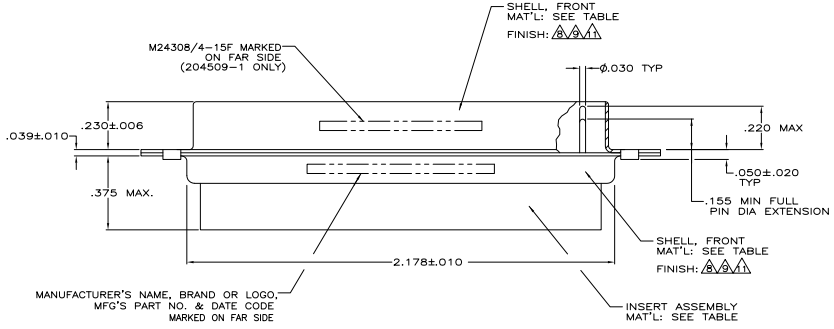
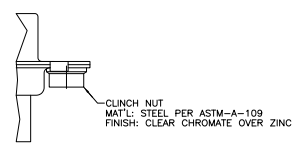
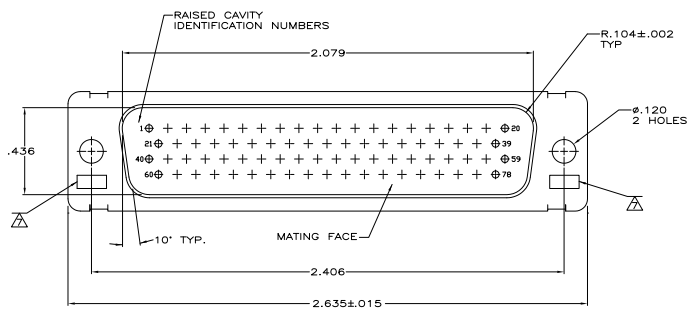


REV	DATE	DESCRIPTION	BY	CHK	APP
1	22JAN2009	PK RL			

- 204509-1 IS DESIGNED TO CONFORM TO THE LATEST ISSUE OF MIL-C-24308.
 - MAX WIRE INSUL. TO BE USED WITH THIS PLUG IS .054 DIA.
 - METAL RETENTION CLIPS ARE INCLUDED IN INSERTS.
 - PACKAGE STAMPED M 24308/4-268F, 204509-1 ONLY.
 - THIS PLUG WILL ACCEPT SIZE 22 PIN CONTACT M 39029/58-360 OR ANY TYCO HDD-22 PIN CONTACT.
- ▲ UL/CSA DESIGNATION STAMPED IN THIS AREA.
 ▲ CADMIUM PER QQ-P-416.
 ▲ BRIGHT TIN PER ASTM-B-545 OVER COPPER PER AMS2418.
 ▲ GROUNDING INDENTS ON FRONT SHELL NOT SHOWN ON DRAWING.
 ▲ BRIGHT TIN PER ASTM-B-545 .000400-.000550 THK OVER COPPER PER AMS2418 .000050 MIN THK.



SUPSD BY 204509-1
 SUPSD BY 206504-4

REVISIONS	DATE	DESCRIPTION	BY	CHK	APP
1	22JAN2009	PK RL			

REV	DATE	DESCRIPTION	BY	CHK	APP
1	22JAN2009	PK RL			

REV	DATE	DESCRIPTION	BY	CHK	APP
1	22JAN2009	PK RL			

REVISIONS	DATE	DESCRIPTION	BY	CHK	APP
1	22JAN2009	PK RL			

REV	DATE	DESCRIPTION	BY	CHK	APP
1	22JAN2009	PK RL			