

4

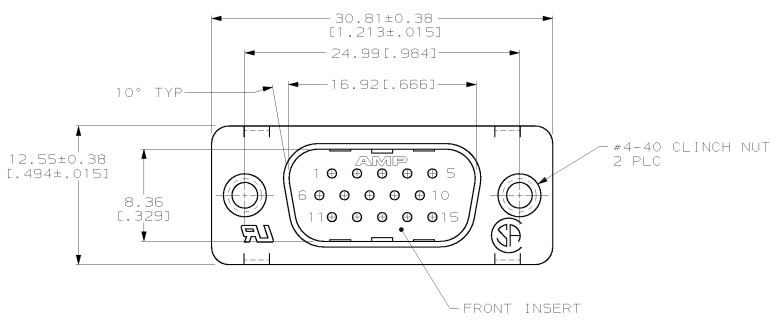
3

2

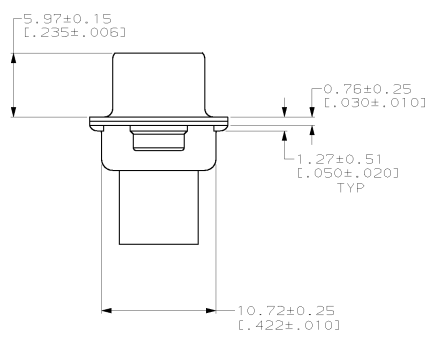
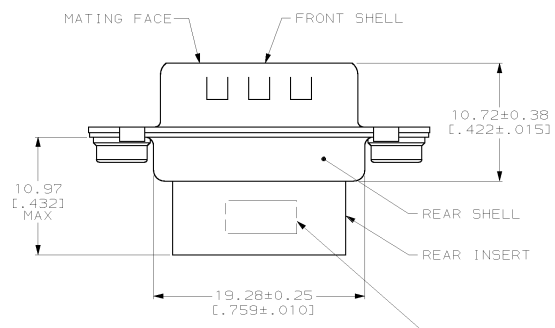
1

THIS DRAWING IS UNCLASSIFIED
(C) COPYRIGHT IS BY AMP INCORPORATED. ALL RIGHTS RESERVED.

REV	DATE	DESCRIPTION	BY	CHKD	APPD
0	02JAN04	RELEASED PER EC 0513-0209-03	LB	SB	



- CONNECTOR ACCEPTS 22 DF PIN CONTACTS, RETENTION TINES ARE AN INTEGRAL PART OF INSERT.
 - CLINCH NUT & SHELLS: CARBON STEEL.
 - INSERTS: NYLON, BLACK, UL 94V-0 RATED.
- SHELLS: 5.08µm [0.00200] MIN TIN OVER 2.54µm [0.00100] MIN COPPER UNDERPLATE. CLINCH NUT: CLEAR CHROMATE OVER ZINC PLATE.



TYCO, PART NUMBER AND DATE CODE MARKED IN AREA INDICATED, ON FAR SIDE

1658691-1
PART NUMBER

THIS DRAWING IS A CONTROLLED DOCUMENT		DWG: L. BAUM 02JAN04 CHK: S. BOLASH 02JAN04 DES: M. WALMSLEY 02JAN04 NAME: M. WALMSLEY	AMP AMP Incorporated Harrisburg, PA 17105-3608
DIMENSIONS: mm INCH	DIMENSIONS: DECIMALS (FRACTIONS)	PRODUCT SPEC: 108-1268 APPLICATION SPEC: 114-10001 HEIGHT: -	PLUG ASSEMBLY, SIZE 1, 15 POSITION, CLINCH NUTS, HDP-22 AMPLIMITE™
MATERIAL:	FINISH:	TITLE: CASE CODE DRAWING NO: A200779 PART NO: 1658691	RESTRICTED TO: - SCALE: 4:1 SHEET 1 OF 1 REV 0