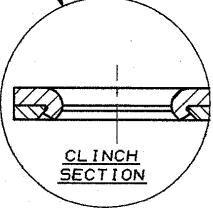
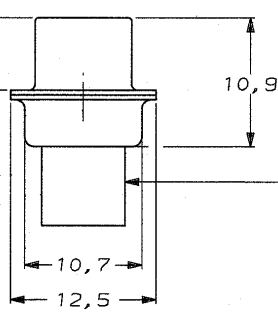
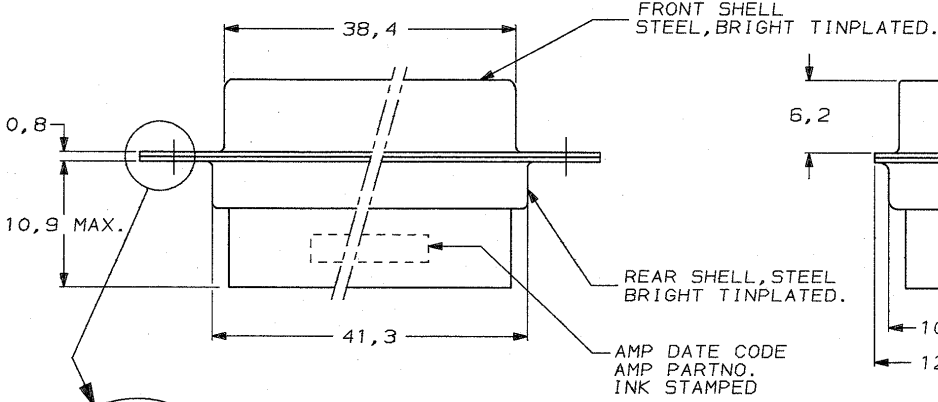


DO NOT SCALE
DIMENSIONS IN mm

METRIC

THIRD ANGLE PROJECTION

NOTES: 1 THIS RECEPTACLE ACCEPTS SIZE 22 REC. CONTACTS.
2 RETENTION TINES ARE AN INTEGRAL PART OF INSERT.
3 CONTACT INSERTION/REMOVAL TOOL AMP P.N. 91285-1 IS RECOMMENDED FOR USE WITH THESE CONNECTORS;



	SEE DRAWING	SEE DRAWING	216166-1
	FINISH	MATERIAL	PARTNUMBER
CUSTOMER DRAWING	AMP		AMP-HOLLAND B.V. s'-Hertogenbosch, The Netherlands.
	THIS DRAWING IS UNPUBLISHED. RELEASED FOR PRODUCTION		
FOR REFERENCE ONLY WILL NOT BE UPDATED	© COPYRIGHT 19- BY AMP-HOLLAND B.V. ALL INTERNATIONAL RIGHTS RESERVED. AMP PRODUCTS MAY BE COVERED BY U.S. AND FOREIGN PATENTS AND/OR PATENTS PENDING.		
DR. J.V.D. HEIJDEN.	DATE 07-12-88	WIRE RANGE	NAME HDP-22 REC. CONNECTOR, SIZE 3, (44 POSITION)
CHK. <i>[Signature]</i>	DATE 2-1-89	INSUL. RANGE	REV. DATE 07 12 88
APP. <i>[Signature]</i>	DATE 4.1.89	SIZE A3	SHEET 1 OF 1
		DWG. No.	C-216166
			REV. LTR. 0

8 | 7 | 6 | 5 | 4 | 3 | 2 | 1