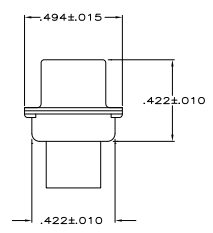
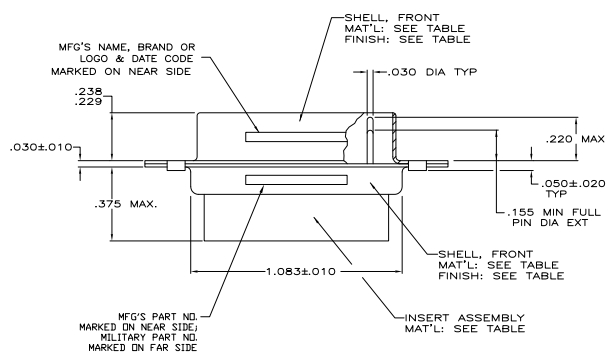
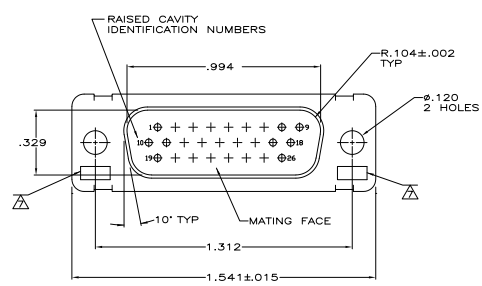


REV	DATE	DESCRIPTION	BY	CHK	APP
W1		REVISED PER EDD-11-005030			



1. THIS PLUG IS DESIGNED TO CONFORM TO THE LATEST ISSUE OF MIL-C-24308.
 2. MAX WIRE INSUL TO BE USED WITH THIS PLUG IS #.054.
 3. METAL RETENTION CLIPS ARE INCLUDED IN INSERTS.
 4. ~~PACKAGE STAMPED M-24308/4-265F~~
 5. THIS PLUG WILL ACCEPT SIZE 22 PIN CONTACT M 39029/58-360 OR ANY TE HDD-22 PIN CONTACT.
- △ MFG'S PART NO. STAMPED ON CONNECTOR REPRESENTS KIT NUMBER WITH CONTACTS.
 - △ UL/CSA DESIGNATION STAMPED ON SHELL.
 - △ FRONT SHELL HAS GROUNDING INDENTS ON 204503-4 ONLY. (NOT SHOWN).
 - △ FINISH: BRIGHT TIN PER ASTM-B-545, .000400-.000550 THK OVER COPPER PER AMS2418, .000500 MIN THK.
 - △ ~~204515-2 INK STAMPED, NEAR SIDE~~
 - △ ~~M24308/4-12F INK STAMPED, FAR SIDE~~

REMARKS	MILITARY PART NO. MARKED ON PACKAGE	MILITARY PART NO. MARKED ON CONNECTOR	MFG PART NO. MARKED ON CONNECTOR	FINISH	SHELL MATERIAL	INSERT MATERIAL	PART NO.
	-	-	204503-5	△	STEEL, CLASS G	POLYPHENYLENE SULFIDE (PPS) GST-40F PER MIL-M-24519 OR GLASS FILLED POLYESTER TPES013G30 PER ASTM D5927	204503-5
			204503-4	△	STEEL, CLASS G	POLYPHENYLENE SULFIDE (PPS) GST-40F PER MIL-M-24519 OR GLASS FILLED POLYESTER TPES013G30 PER ASTM D5927	204503-4
OBSOLETE					CADMIUM PER QQ-P-416	STEEL, CLASS G	204503-3
					CADMIUM PER QQ-P-416	BRASS	204503-2
SUPSD BY 206500-4					CADMIUM PER QQ-P-416	STEEL, CLASS G	204503-1

THIS DRAWING IS A CONTROLLED DOCUMENT. IT IS THE PROPERTY OF TE CONNECTIVITY. IT IS TO BE KEPT IN CONFIDENCE AND NOT TO BE REPRODUCED OR TRANSMITTED IN ANY FORM OR BY ANY MEANS, ELECTRONIC OR MECHANICAL, INCLUDING PHOTOCOPYING, RECORDING, OR BY ANY INFORMATION STORAGE AND RETRIEVAL SYSTEM.

TE Connectivity
 AMPULMITE PLUG FOR PIN CONTACTS
 HI-DENSITY D CONNECTOR
 SIZE 2 (SEE POON) SERIES 90

SEE TABLE
 CUSTOMER DRAWING
 A1 00779 G=204503
 SHEET 1 OF 1