

4

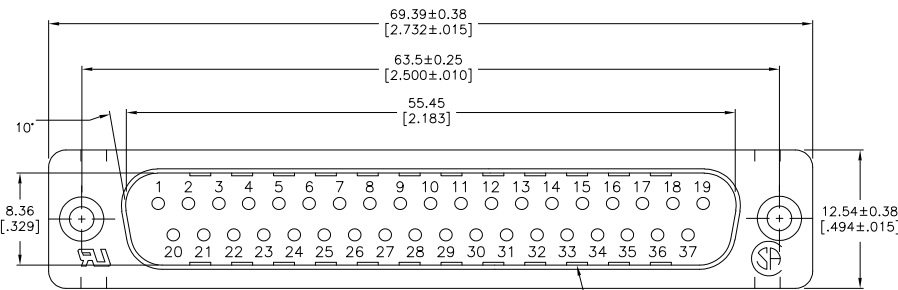
3

2

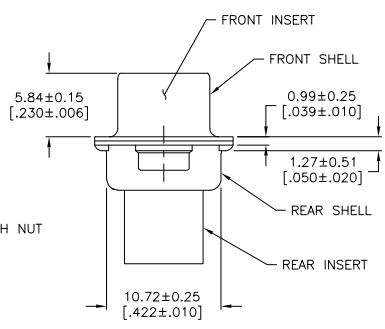
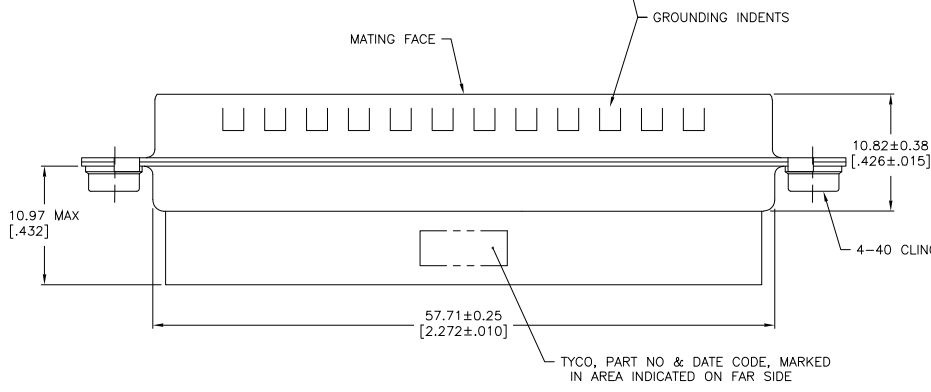
1

THIS DRAWING IS UNPUBLISHED. RELEASED FOR PUBLICATION
 © COPYRIGHT BY TYCO ELECTRONICS CORPORATION. ALL RIGHTS RESERVED.

LOC	DIST	REVISIONS			
F	LTR	DESCRIPTION	DATE	BY	APP'D
GP	00	F1	REVISED PER ECO-06-020813	25/OCT/06	ZR CR



- △ INSERTS: GLASS FILLED NYLON, UL 94V-0 RATED, COLOR BLACK.
- SHELLS: CARBON STEEL PER ASTM A109.
- CLINCH NUTS: CARBON STEEL PER ASTM A108.
- △ SHELLS: SEE TABLE
- CLINCH NUTS: CLEAR CHROMATE OVER ZINC.
- 3. CONNECTOR ACCEPTS SIZE 20 DF PIN CONTACTS. RETENTION TINES ARE AN INTEGRAL PART OF INSERT.
- △ 0.00508[.000200] MIN BRIGHT TIN OR BRIGHT TIN LEAD OVER 0.00254[.000100] MIN COPPER.
- △ 0.00508[.000200] MIN BRIGHT TIN OVER 0.00254[.000100] MIN COPPER.



**COPYRIGHT 2003
 TYCO ELECTRONICS CORP
 ALL RIGHTS RESERVED**

OBSOLETE	△	745135-4
	△	745135-2
	△	SHELL FINISH
	△	PART NUMBER

THIS DRAWING IS A CONTROLLED DOCUMENT.

DWG	J GERACE	244P003	tyco Electronics	Tyco Electronics Corporation Harrisburg, Pa 17105			
CHK	S BOLASH	244P003					
APP'D	M WALMSLEY	244P003	PLUG CONNECTOR, SIZE 4, 37 POS. 4-40 CLINCH NUTS, AMPLIMITE HDP-20				
PRODUCT SPEC	108-40005		SIZE	CAGE CODE	DRAWING NO	RESTRICTED TO	
APPLICATION SPEC	114-40030		A2	00779	745135	-	
WEIGHT	-		CUSTOMER DRAWING	SCALE	4:1	SHEET 1 OF 1	REV F1

AMP 1471-9 REV 31MM0200

745135